
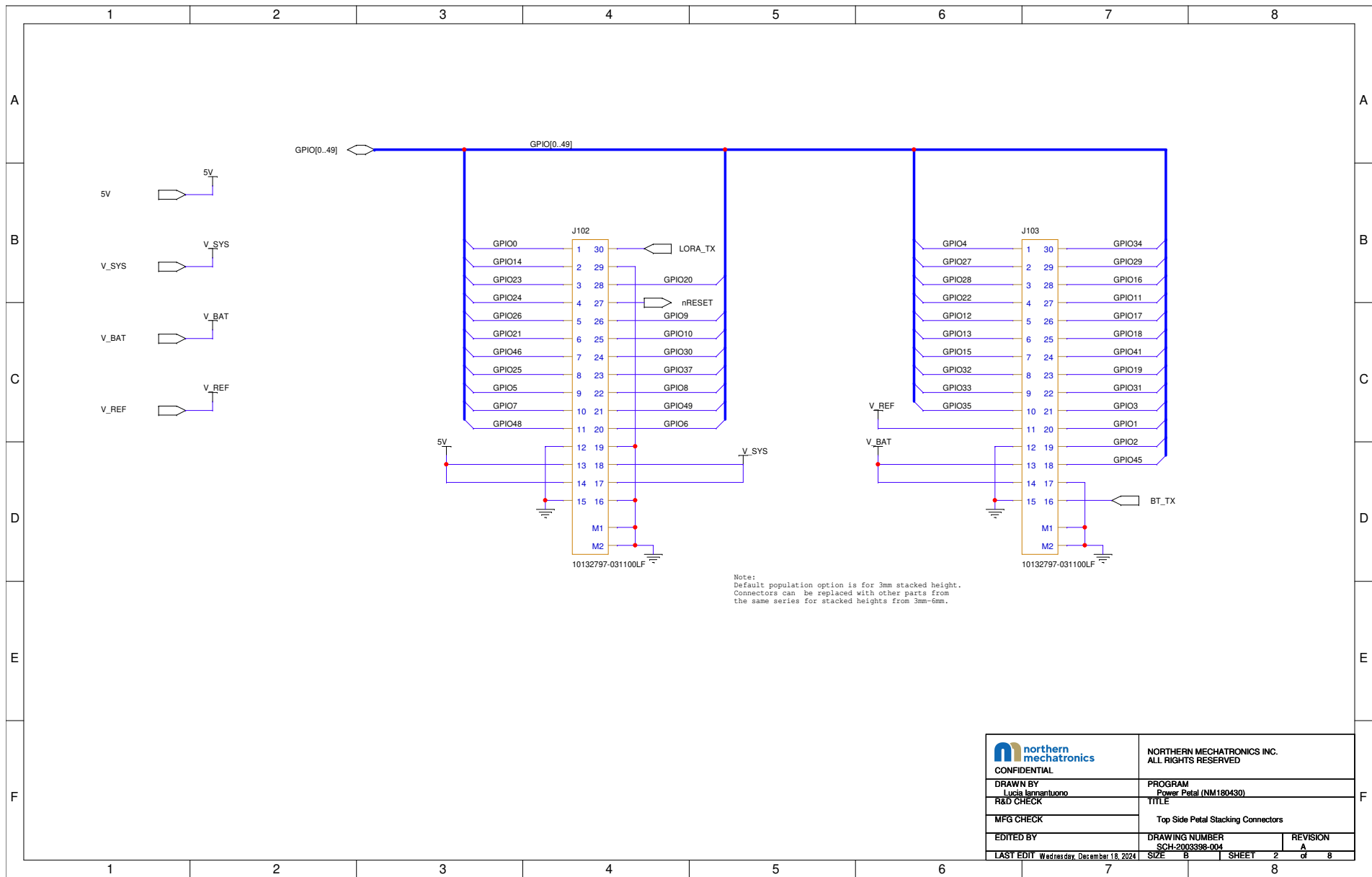

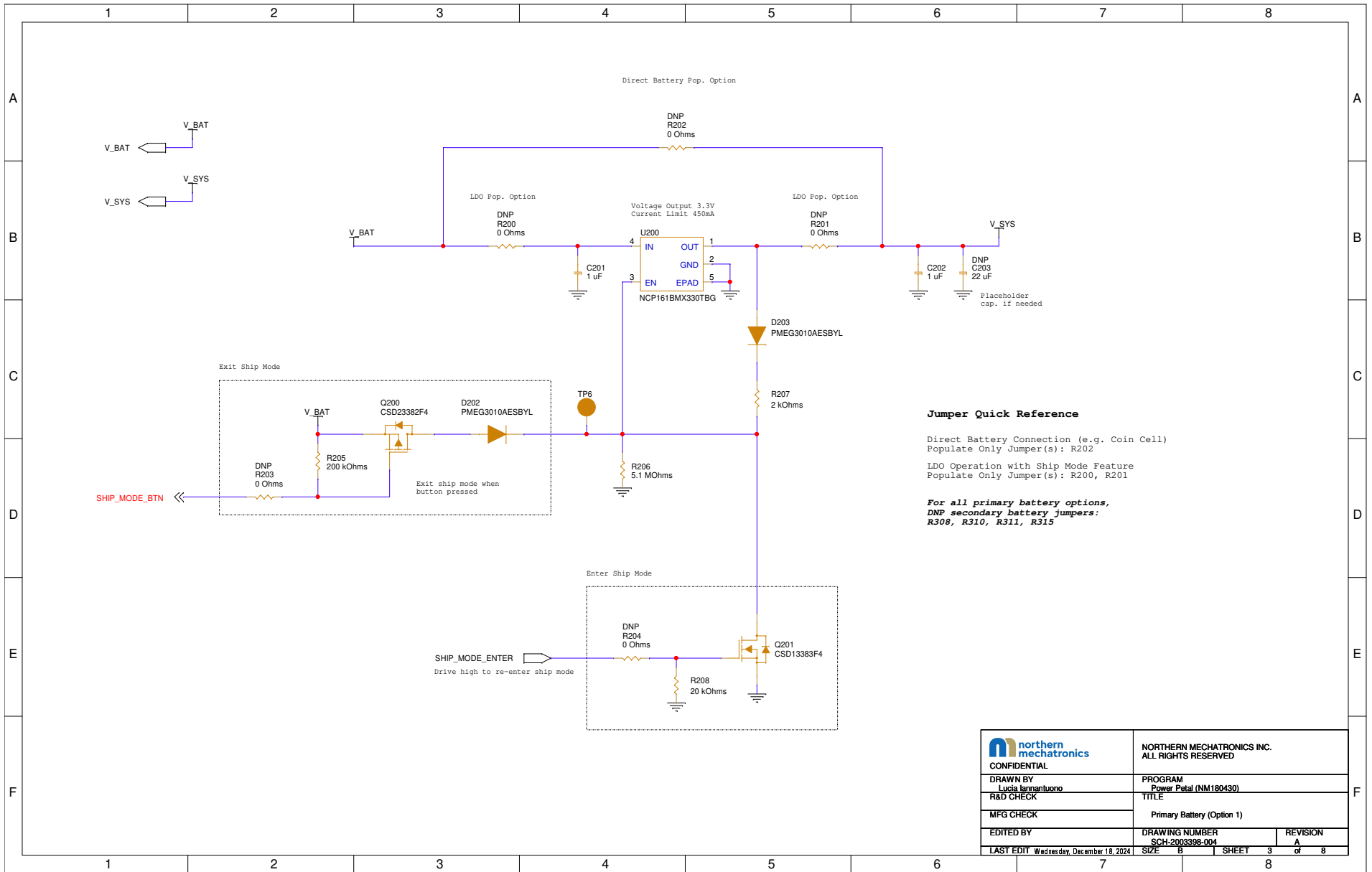


| | |
|--|-----------------------------------|
|  NORTHERN MECHATRONICS INC. CONFIDENTIAL ALL RIGHTS RESERVED | |
| DRAWN BY Lucia Ignantunono | PROGRAM Power Petal (NM180430) |
| R&D CHECK | TITLE Block Diagram |
| MFG CHECK | DRAWING NUMBER SCH-2003398-004 |
| EDITED BY | REVISION A |
| LAST EDIT Wednesday, December 18, 2024 | SIZE B SHEET 1 of 8 |



| | |
|--|------------------------------------|
|  NORTHERN MECHATRONICS INC. ALL RIGHTS RESERVED | |
| CONFIDENTIAL | |
| DRAWN BY Lucia Iannantuono | PROGRAM Power Petal (NM180430) |
| R&D CHECK | TITLE |
| MFG CHECK | Top Side Petal Stacking Connectors |
| EDITED BY | DRAWING NUMBER SCH-2003398-004 |
| LAST EDIT Wednesday, December 18, 2024 | REVISION A |
| SIZE B | SHEET 2 of 8 |



Jumper Quick Reference

Direct Battery Connection (e.g. Coin Cell)
Populate Only Jumper(s): R202

LDO Operation with Ship Mode Feature
Populate Only Jumper(s): R200, R201

**For all primary battery options,
DNP secondary battery jumpers:
R308, R310, R311, R315**

| | | |
|--|---|-----------------------------------|
| northern mechatronics CONFIDENTIAL | NORTHERN MECHATRONICS INC. ALL RIGHTS RESERVED | |
| | DRAWN BY Lucia Iannantuono | PROGRAM Power Petal (NM180430) |
| R&D CHECK | TITLE Primary Battery (Option 1) | |
| MFG CHECK | DRAWING NUMBER SCH-2003398-004 | REVISION A |
| EDITED BY | SIZE B | SHEET 3 of 8 |
| LAST EDIT Wednesday, December 18, 2024 | | |

1 2 3 4 5 6 7 8

A

B

C

D

E

F

A

B

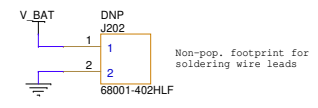
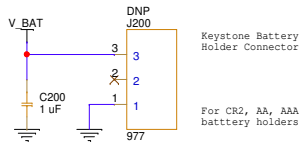
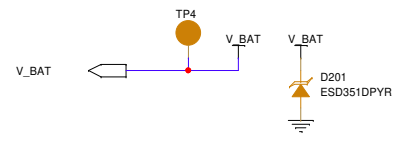
C

D

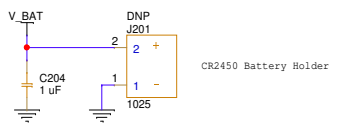
E

F

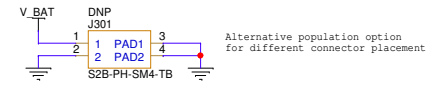
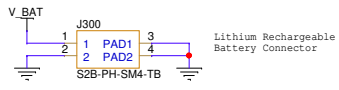
PRIMARY CELL OPTIONS



COIN CELL BATTERY OPTION

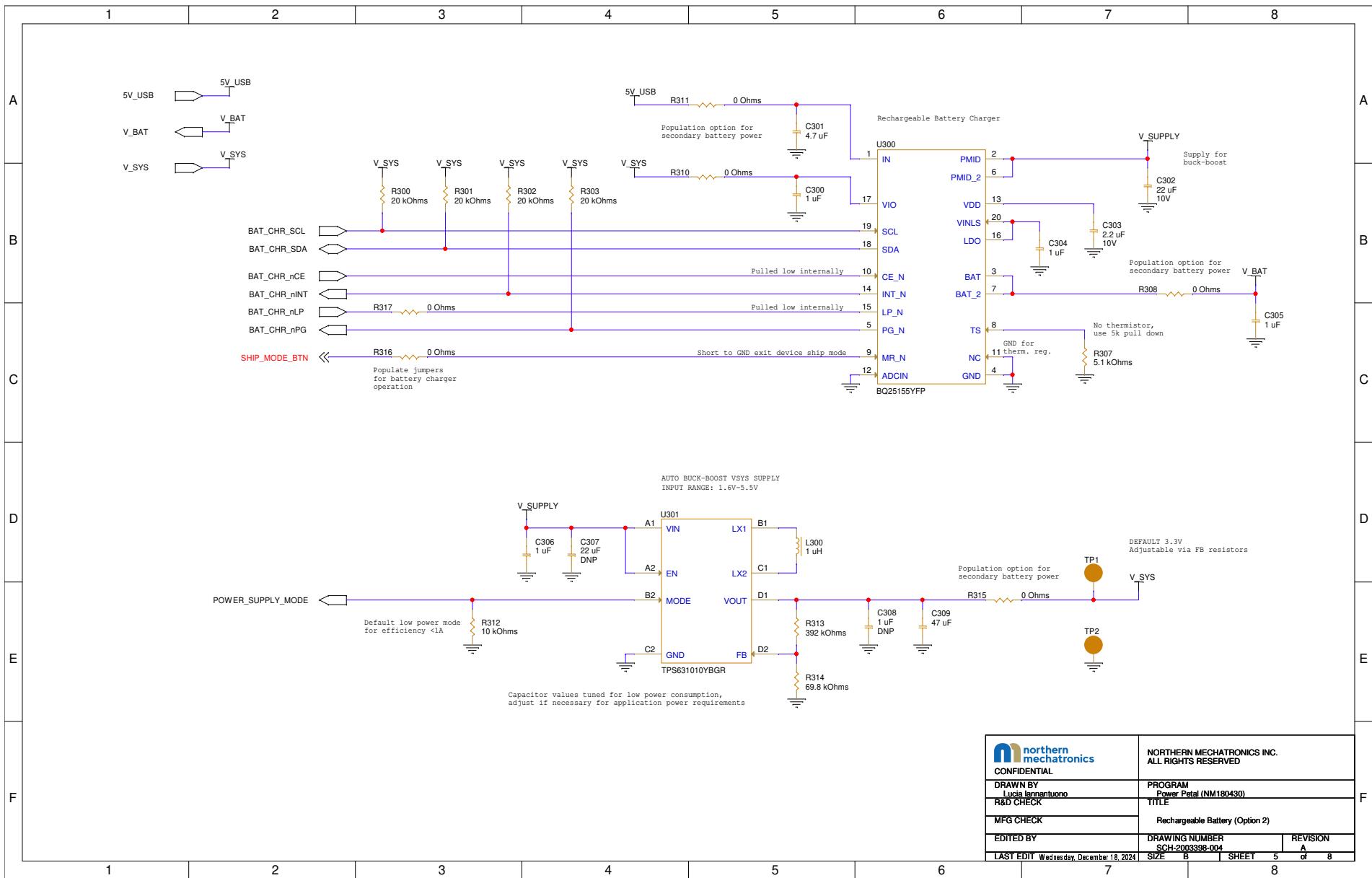


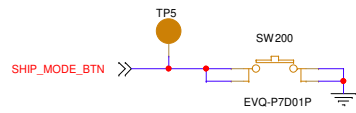
RECHARGEABLE BATTERY OPTIONS




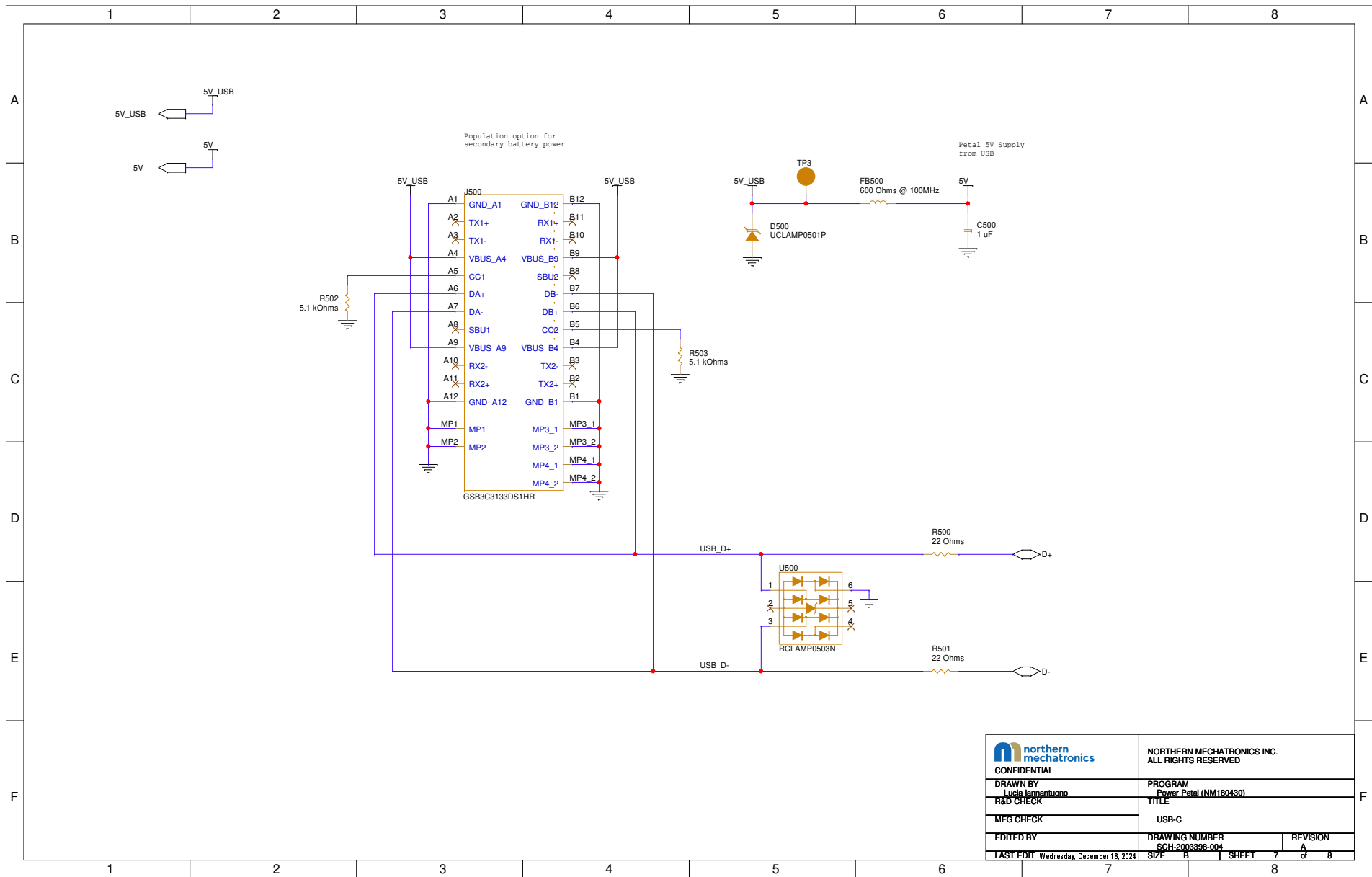
| | | | |
|-------------------------------|--|---|--|
| | | NORTHERN MECHATRONICS INC. ALL RIGHTS RESERVED | |
| CONFIDENTIAL | | PROGRAM Power Petal (NM180430) | |
| DRAWN BY Lucia Ignantunovo | | TITLE Battery Connectors | |
| R&D CHECK | | DRAWING NUMBER SCH-2003398-004 | |
| MFG CHECK | | REVISION A | |
| EDITED BY | | LAST EDIT Wednesday, December 18, 2024 | |
| SIZE B | | SHEET 4 of 8 | |


1 2 3 4 5 6 7 8

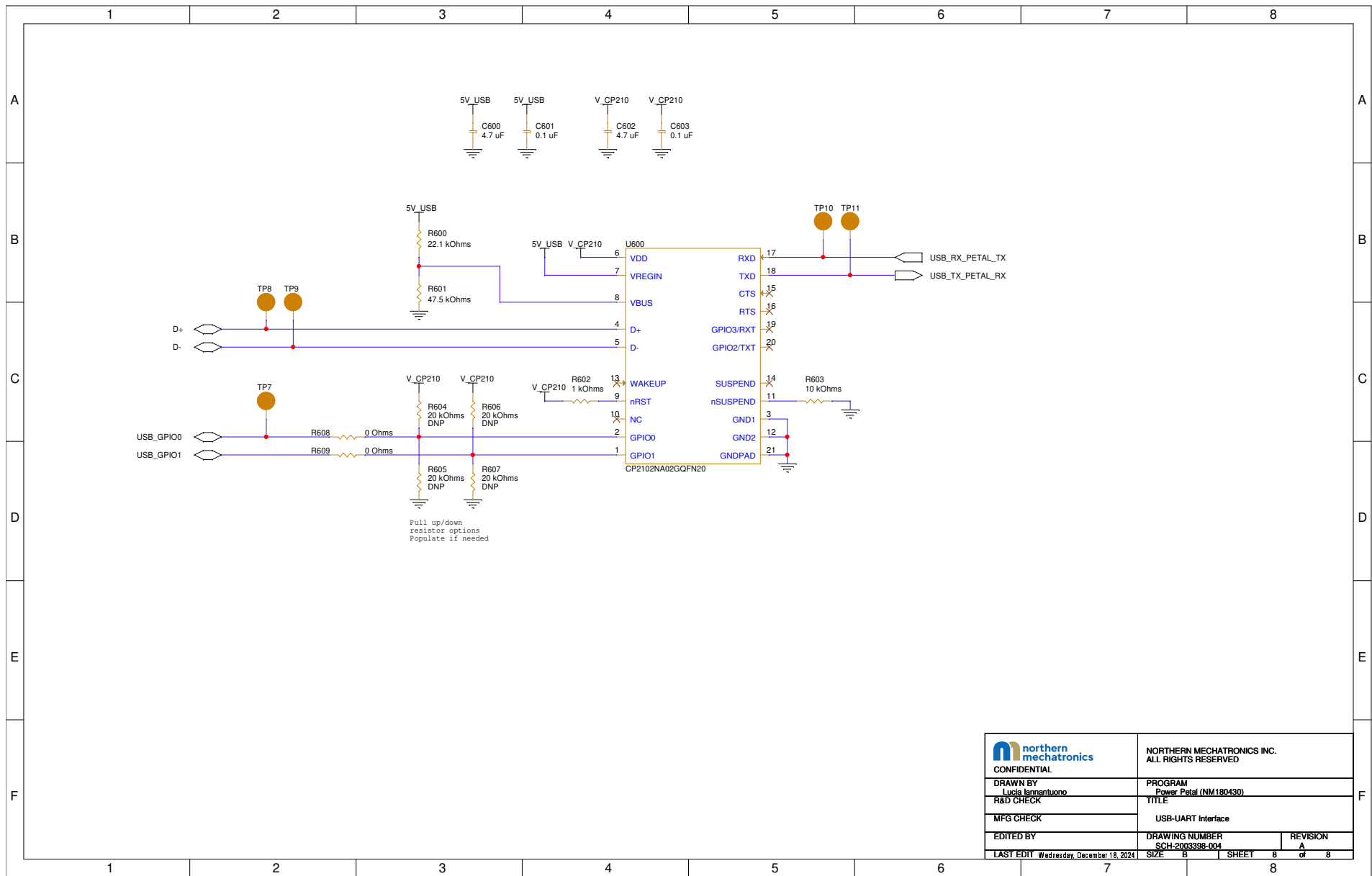





| | |
|--|-----------------------------------|
|  NORTHERN MECHATRONICS INC. ALL RIGHTS RESERVED | |
| CONFIDENTIAL | |
| DRAWN BY Lucia Iannantuono | PROGRAM Power Petal (NM180430) |
| R&D CHECK | TITLE Ship Mode Exit Button |
| MFG CHECK | |
| EDITED BY | DRAWING NUMBER SCH-2003398-004 |
| LAST EDIT Wednesday, December 18, 2024 | REVISION A |
| SIZE B | SHEET 6 of 8 |



| | |
|--|-----------------------------------|
|  NORTHERN MECHATRONICS INC. ALL RIGHTS RESERVED | |
| CONFIDENTIAL | |
| DRAWN BY Lucia Ignantunovo | PROGRAM Power Petal (NM180430) |
| R&D CHECK | TITLE |
| MFG CHECK | USB-C |
| EDITED BY | DRAWING NUMBER SCH-2003398-004 |
| LAST EDIT Wednesday, December 18, 2024 | REVISION A |
| SIZE B | SHEET 7 of 8 |



| | | |
|---|---|-----------------------------------|
|  northern mechatronics CONFIDENTIAL | NORTHERN MECHATRONICS INC. ALL RIGHTS RESERVED | |
| | DRAWN BY Lucia Ignantunono | PROGRAM Power Petal (NM180430) |
| R&D CHECK | TITLE USB-UART Interface | |
| MFG CHECK | USB-UART Interface | |
| EDITED BY | DRAWING NUMBER SCH-2003398-004 | REVISION A |
| LAST EDIT Wednesday, December 18, 2024 | SIZE B | SHEET 8 of 8 |