
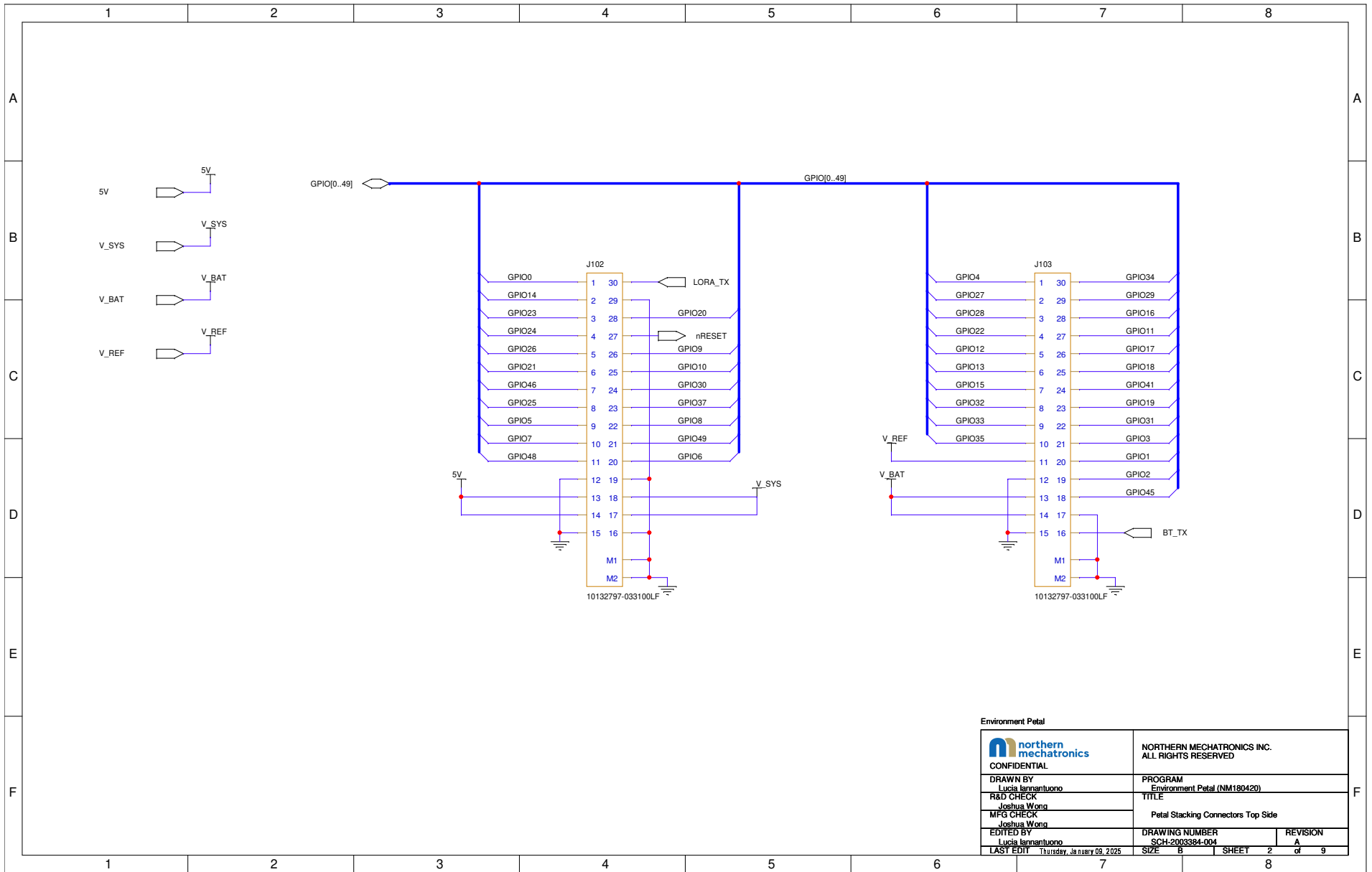



I2C Address Table

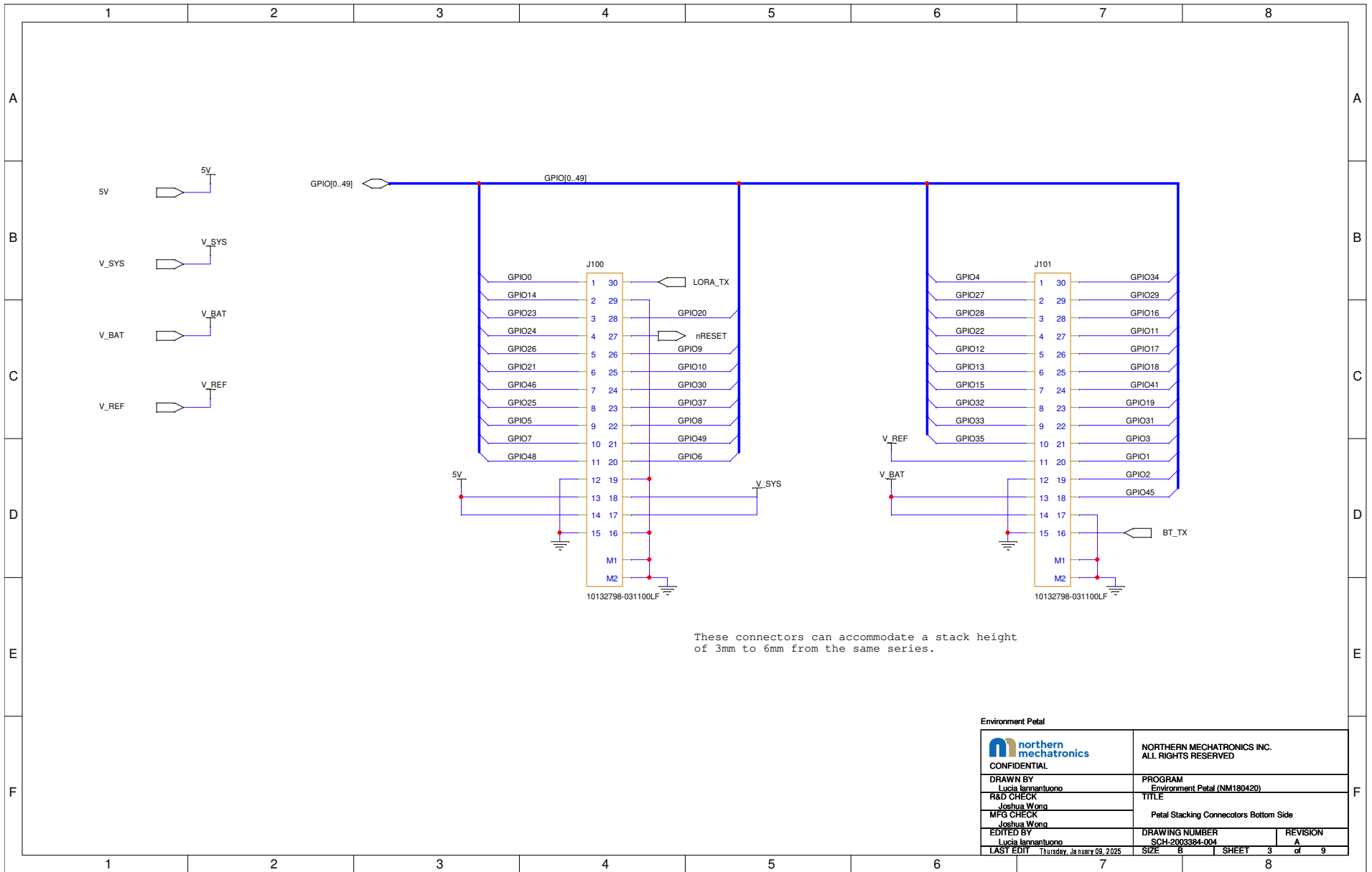
Gas 0x76  
 Mag 0x10  
 IMU 0x68

Environment Petal			
 CONFIDENTIAL		NORTHERN MECHATRONICS INC. ALL RIGHTS RESERVED	
DRAWN BY Lucia Iannantuono		PROGRAM Environment Petal (NM180420)	
R&D CHECK Joshua Wong		TITLE Block Diagram	
MFG CHECK Joshua Wong		DRAWING NUMBER SCH-2003384-004	
EDITED BY Lucia Iannantuono		REVISION A	SHEET 1 of 9
LAST EDIT Thursday, January 09, 2025		SIZE B	SHEET 1 of 9




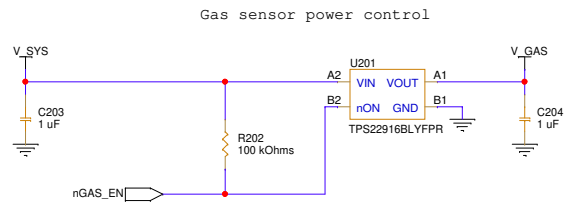
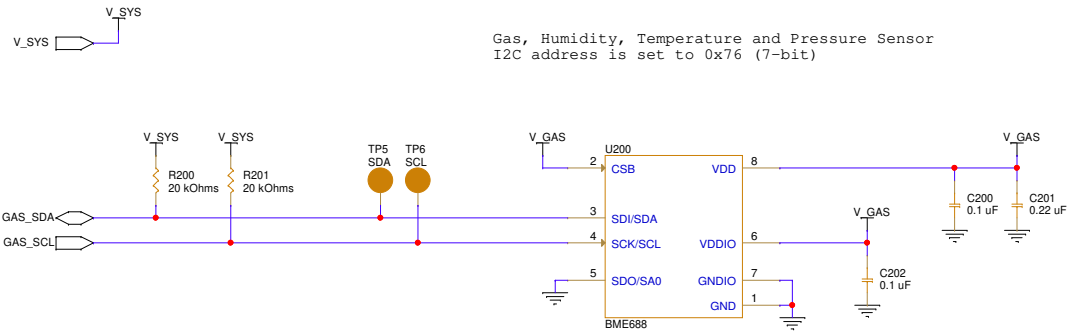
Environment Petal

		NORTHERN MECHATRONICS INC. ALL RIGHTS RESERVED	
CONFIDENTIAL		PROGRAM Environment Petal (NM180420)	
DRAWN BY Lucia Iannantuono		TITLE Petal Stacking Connectors Top Side	
R&D CHECK Joshua Wong		MFG CHECK Joshua Wong	
EDITED BY Lucia Iannantuono		DRAWING NUMBER SCH-2003384-004	REVISION A
LAST EDIT Thursday, January 09, 2025		SIZE B	SHEET 2 of 9




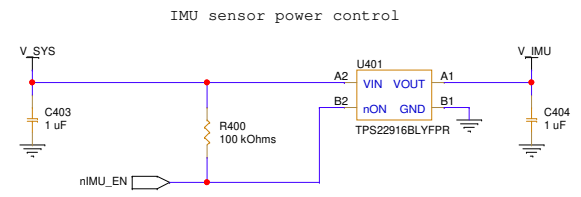
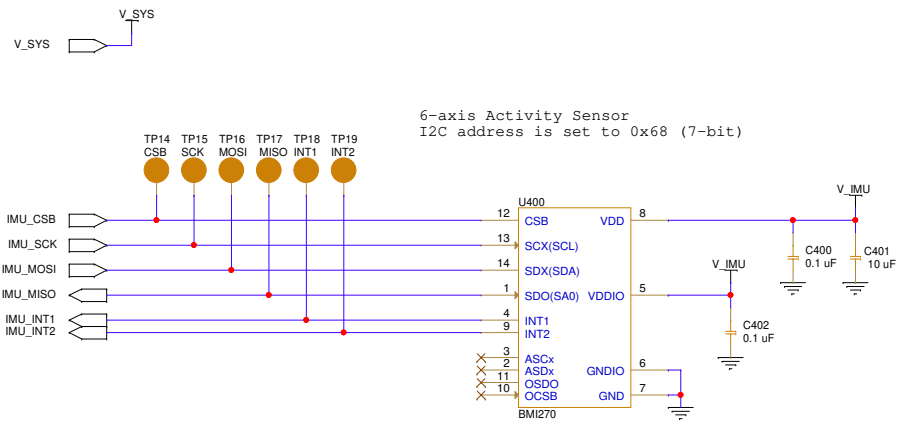
These connectors can accommodate a stack height of 3mm to 6mm from the same series.

Environment Petal	
	NORTHERN MECHATRONICS INC. ALL RIGHTS RESERVED
CONFIDENTIAL	
DRAWN BY Lucia Iannantuono	PROGRAM Environment Petal (NM180420)
R&D CHECK Joshua Wong	TITLE Petal Stacking Connectors Bottom Side
MFG CHECK Joshua Wong	
EDITED BY Lucia Iannantuono	DRAWING NUMBER SCH-2003384-004
LAST EDIT Thursday, January 09, 2025	SIZE B SHEET 3 of 9
	REVISION A



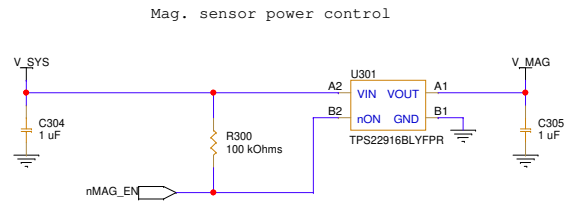
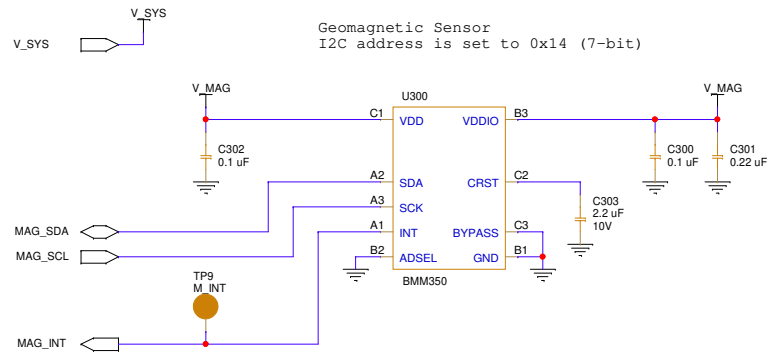
Environment Petal

 <b>NORTHERN MECHATRONICS INC.</b> ALL RIGHTS RESERVED CONFIDENTIAL	PROGRAM Environment Petal (NM180420)	
	TITLE Onboard Gas Sensor (BME688)	
DRAWN BY Lucia Iannantuono	DRAWING NUMBER SCH-2003384-004	REVISION A
R&D CHECK Joshua Wong	SIZE B	SHEET 4 of 9
MFG CHECK Joshua Wong		
EDITED BY Lucia Iannantuono		
LAST EDIT Friday, January 17, 2025		




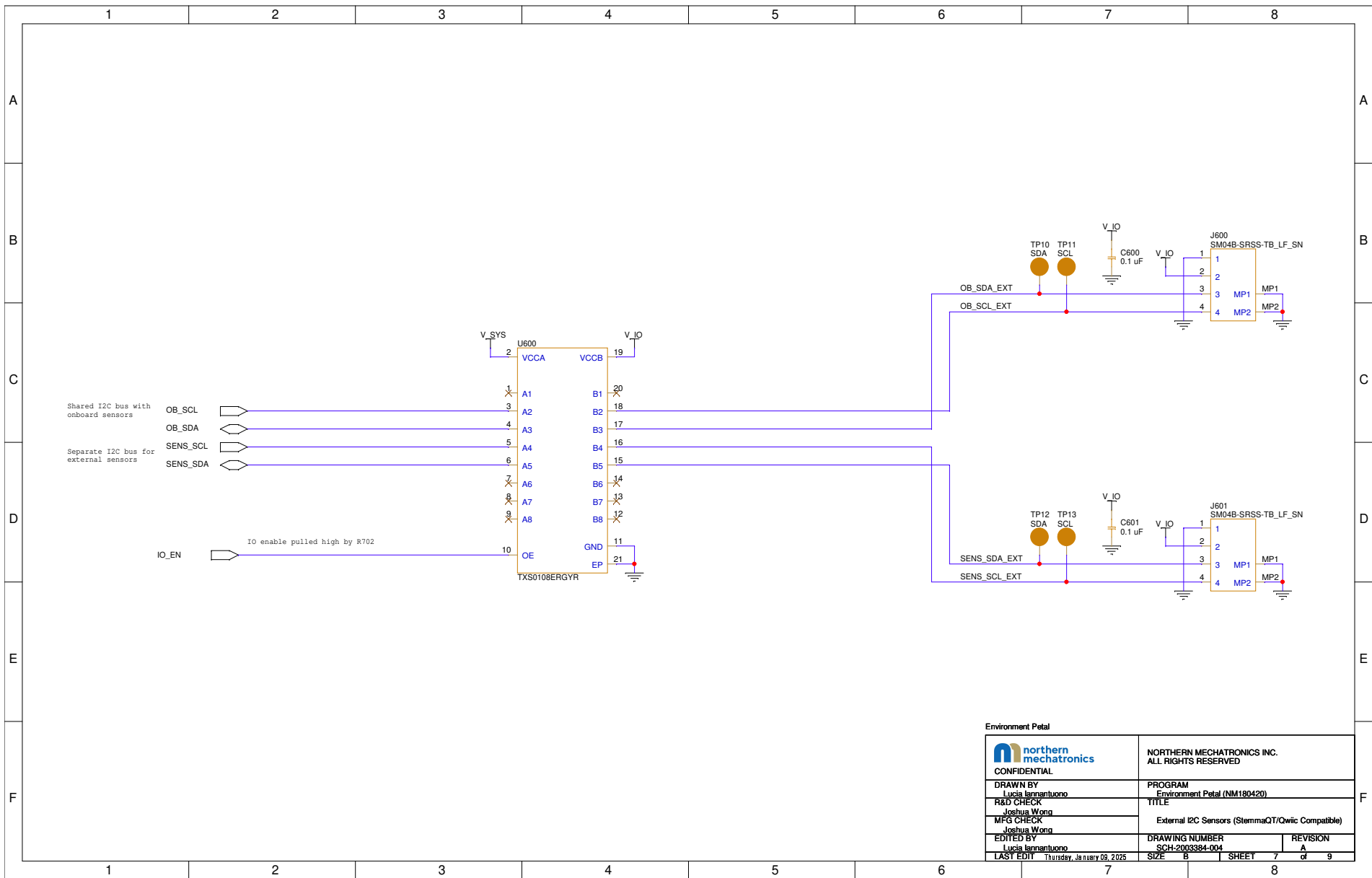
Environment Petal


 <b>northern mechatronics</b> CONFIDENTIAL	NORTHERN MECHATRONICS INC. ALL RIGHTS RESERVED		
	DRAWN BY Lucia Iannantuono	PROGRAM Environment Petal (NM180420)	
R&D CHECK Joshua Wong	TITLE Onboard 6-Axis Sensor (BMI270)		
MFG CHECK Joshua Wong	DRAWING NUMBER SCH-2003384-004	REVISION A	
EDITED BY Lucia Iannantuono	LAST EDIT Friday, January 17, 2025	SIZE B	SHEET 5 of 9

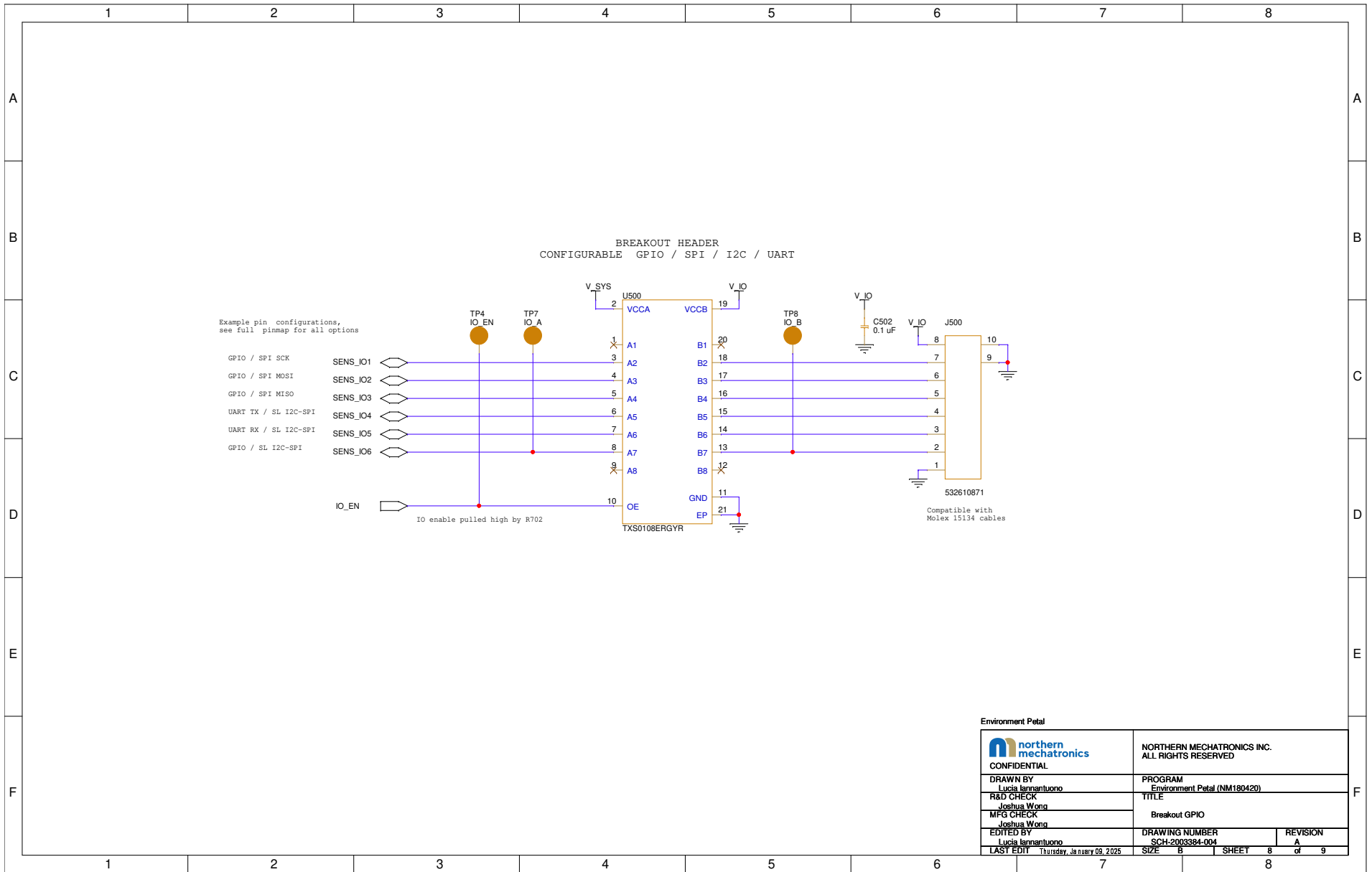


Environment Petal


 <b>NORTHERN MECHATRONICS INC.</b> ALL RIGHTS RESERVED CONFIDENTIAL	PROGRAM Environment Petal (NM180420)	
	TITLE Onboard Geomagnetic Sensor (BMM350)	
DRAWN BY Lucia Iannantuono	DRAWING NUMBER SCH-2003384-004	
R&D CHECK Joshua Wong	REVISION A	
MFG CHECK Joshua Wong	SIZE B	SHEET 6 of 9
EDITED BY Lucia Iannantuono	LAST EDIT Friday, January 17, 2025	



Environment Petal		
	NORTHERN MECHATRONICS INC. ALL RIGHTS RESERVED	
CONFIDENTIAL		
DRAWN BY Lucia Iannantuono	PROGRAM Environment Petal (NM180420)	
R&D CHECK Joshua Wong	TITLE	
MFG CHECK Joshua Wong	External I2C Sensors (StemmaQT/Qwiic Compatible)	
EDITED BY Lucia Iannantuono	DRAWING NUMBER SCH-2003384-004	REVISION A
LAST EDIT Thursday, January 09, 2025	SIZE B	SHEET 7 of 9



Environment Petal

		NORTHERN MECHATRONICS INC. ALL RIGHTS RESERVED	
DRAWN BY Lucia Iannantuono		PROGRAM Environment Petal (NM180420)	
R&D CHECK Joshua Wong		TITLE Breakout GPIO	
MFG CHECK Joshua Wong		DRAWING NUMBER SCH-2003384-004	
EDITED BY Lucia Iannantuono		REVISION A	
LAST EDIT Thursday, January 09, 2025		SIZE B	SHEET 8 of 9



1 2 3 4 5 6 7 8

A

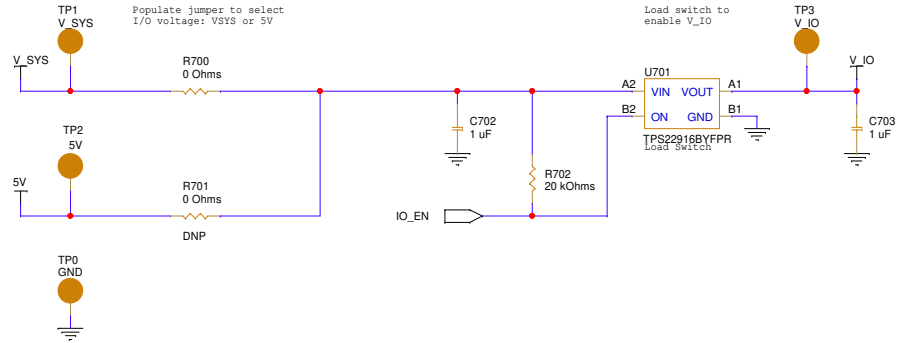
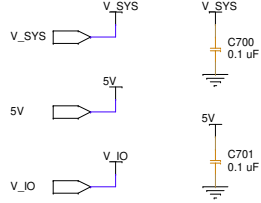
B

C

D

E

F



Environment Petal		
	NORTHERN MECHATRONICS INC. ALL RIGHTS RESERVED	
CONFIDENTIAL		
DRAWN BY Lucia Iannantuono	PROGRAM Environment Petal (NM180420)	
R&D CHECK Joshua Wong	TITLE	
MFG CHECK Joshua Wong	IO Voltage Select	
EDITED BY Lucia Iannantuono	DRAWING NUMBER SCH-2003384-004	REVISION A
LAST EDIT Thursday, January 09, 2025	SIZE B	SHEET 9 of 9

1 2 3 4 5 6 7 8

A

B

C

D

E

F