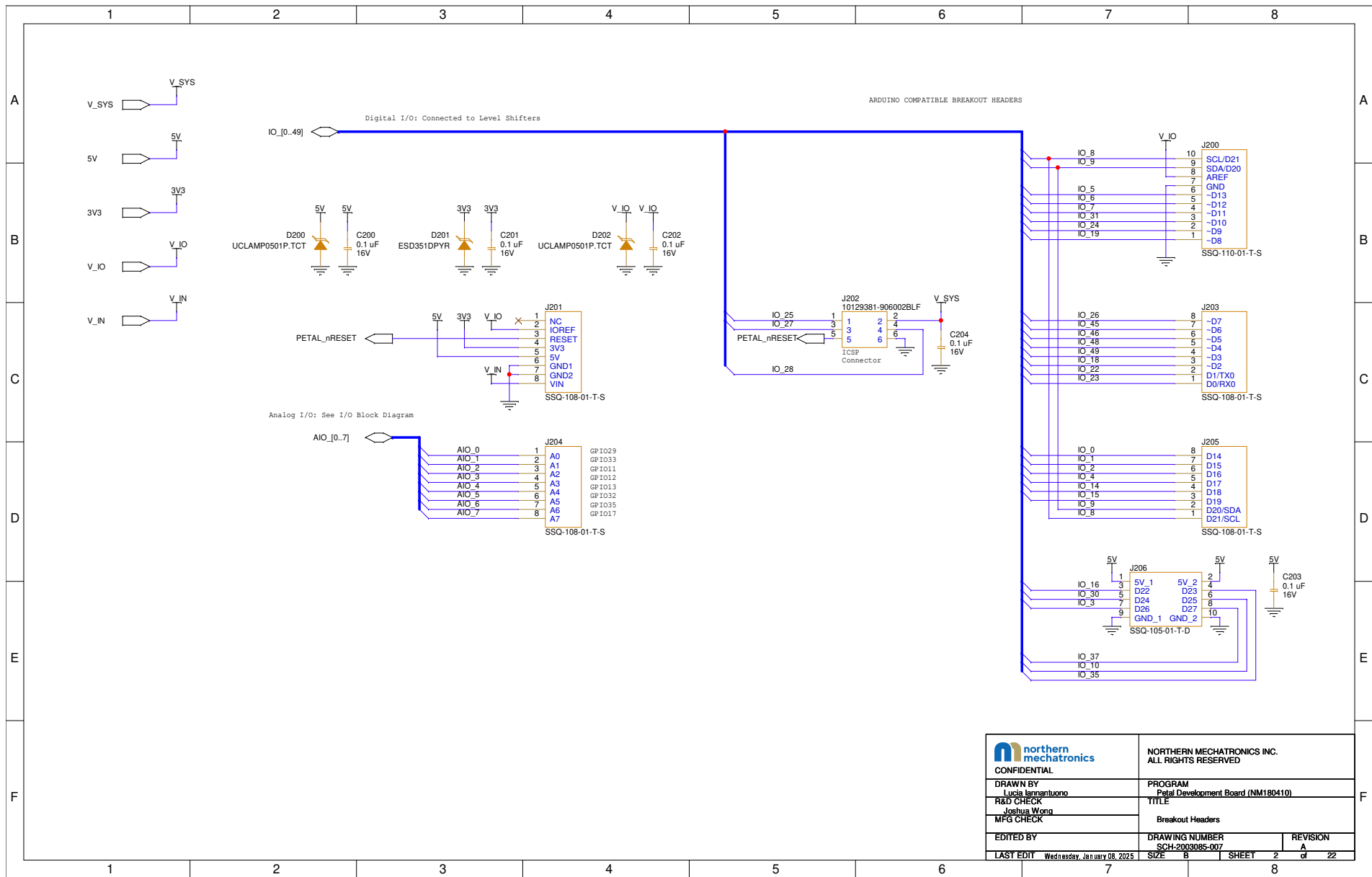
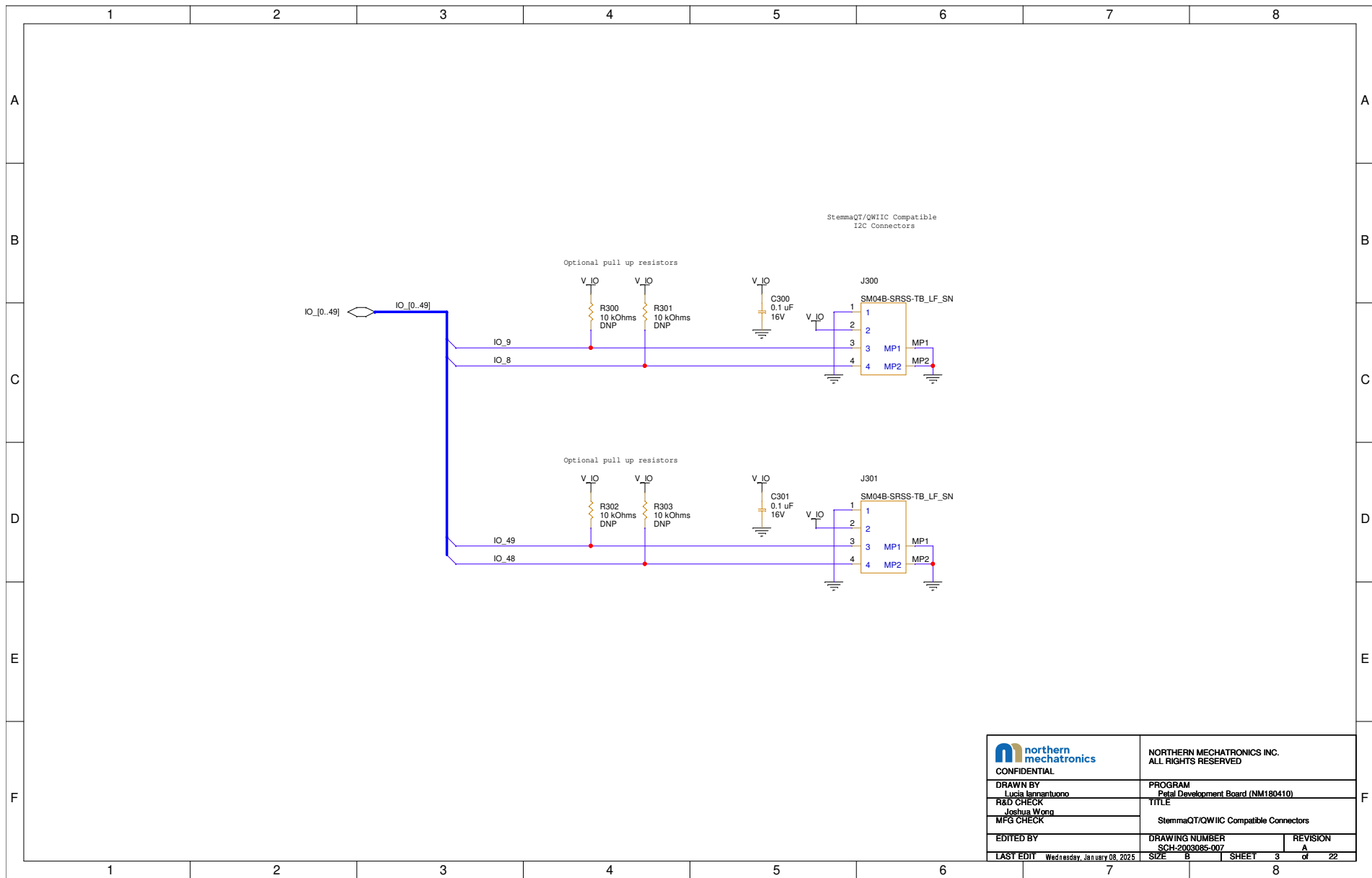

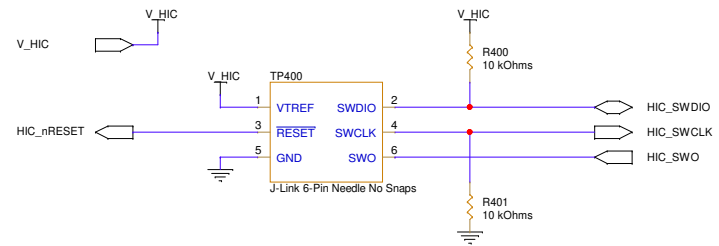
 NORTHERN MECHATRONICS INC. ALL RIGHTS RESERVED		
CONFIDENTIAL		
DRAWN BY Lucia Ignantunovo	PROGRAM Petal Development Board (NM180410)	
R&D CHECK Joshua Wong	TITLE	
MFG CHECK	Block Diagram	
EDITED BY	DRAWING NUMBER	REVISION
LAST EDIT	SCH-2003085-007	A
Wednesday, January 08, 2025	SIZE B	SHEET 1 of 22




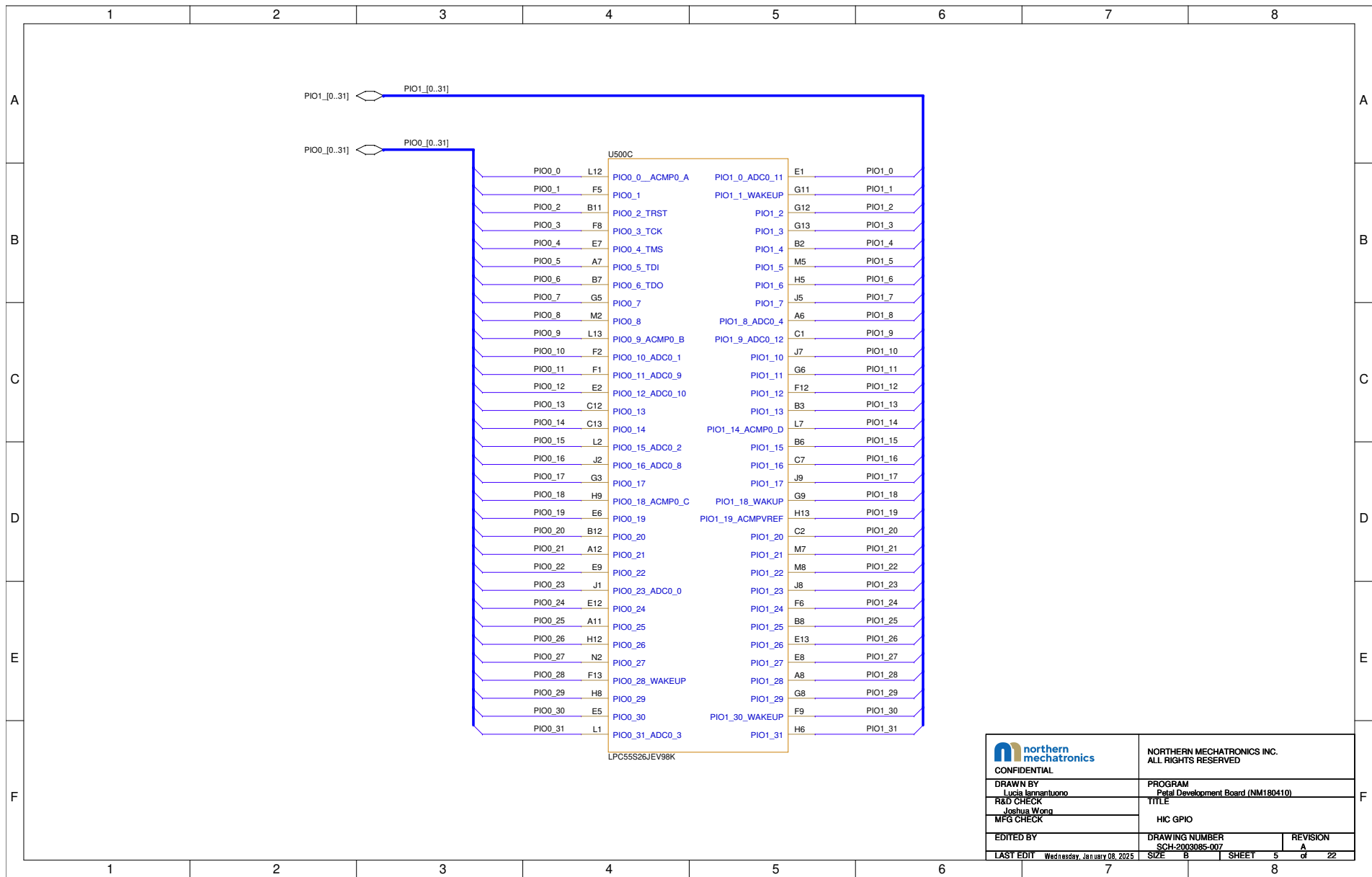
		NORTHERN MECHATRONICS INC. ALL RIGHTS RESERVED	
CONFIDENTIAL		PROGRAM Petal Development Board (NM180410)	
DRAWN BY Lucia Iannantuono		TITLE Breakout Headers	
R&D CHECK Joshua Wong		DRAWING NUMBER SCH-2003085-007	
MFG CHECK		REVISION A	
EDITED BY		DRAWING NUMBER	
LAST EDIT Wednesday, January 08, 2025		SIZE B	
		SHEET 2	
		of 22	



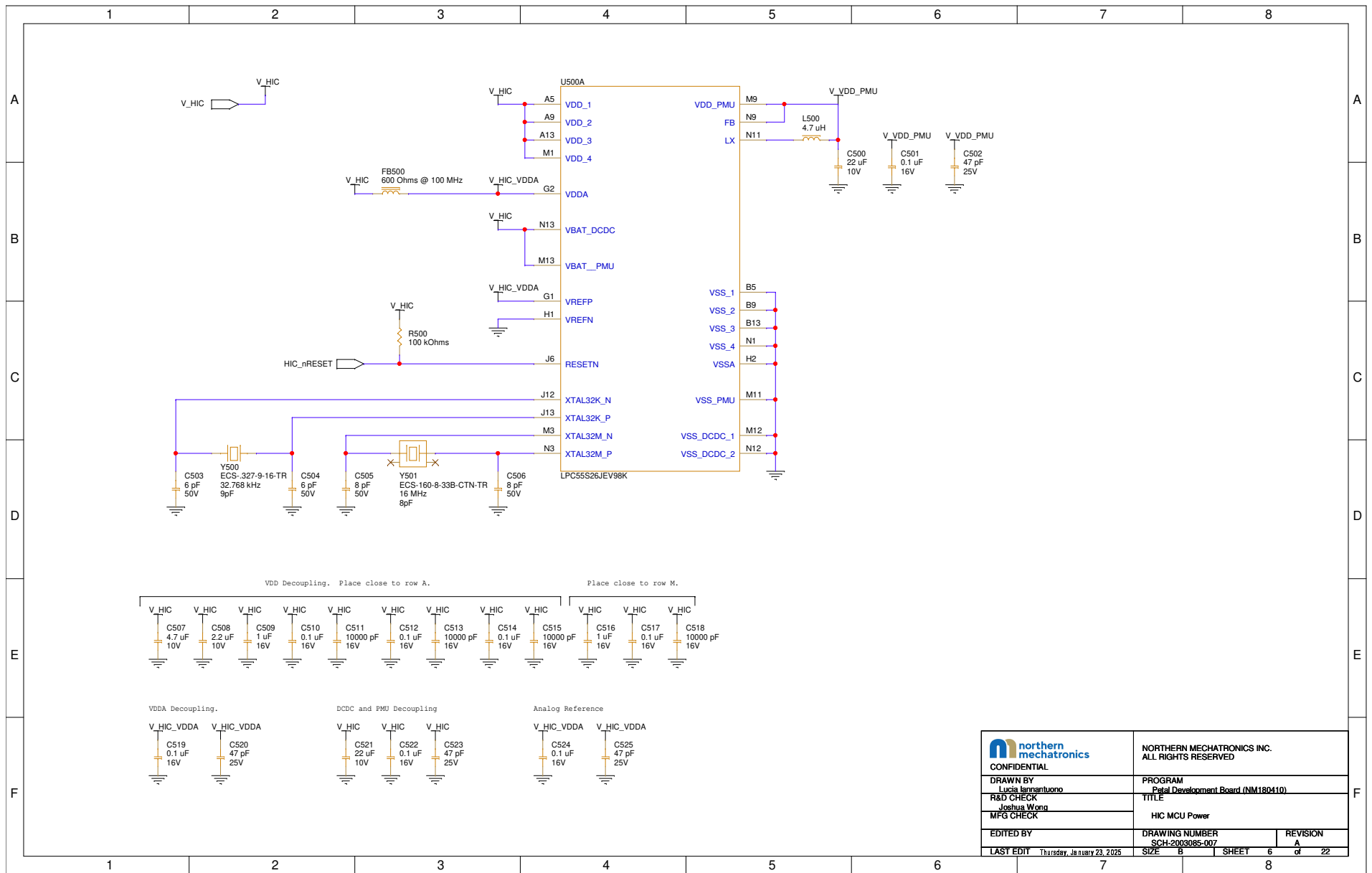
 northern mechatronics CONFIDENTIAL	NORTHERN MECHATRONICS INC. ALL RIGHTS RESERVED	
	DRAWN BY Lucia Ignantunovo	PROGRAM Petal Development Board (NM180410)
R&D CHECK Joshua Wong	TITLE StemmaQT/QWIIC Compatible Connectors	
MFG CHECK		
EDITED BY	DRAWING NUMBER SCH-2003085-007	REVISION A
LAST EDIT Wednesday, January 08, 2025	SIZE B	SHEET 3 of 22



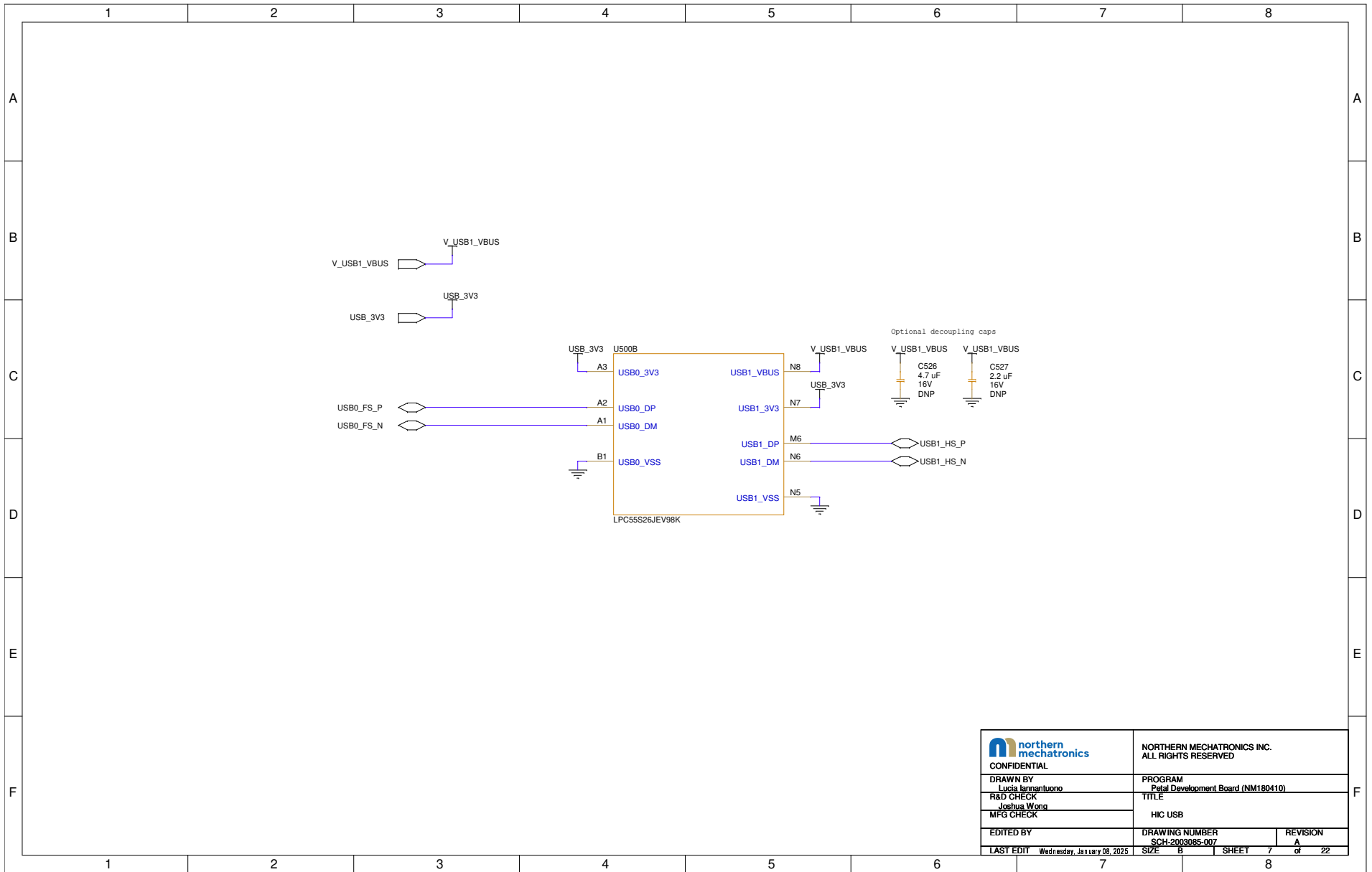
 NORTHERN MECHATRONICS INC. CONFIDENTIAL ALL RIGHTS RESERVED	
DRAWN BY Lucia Ignantunono	PROGRAM Petal Development Board (NM180410)
R&D CHECK Joshua Wong	TITLE HIC SWD
MFG CHECK	DRAWING NUMBER SCH-2003085-007
EDITED BY	REVISION A
LAST EDIT Wednesday, January 08, 2025	SIZE B
SHEET 4	of 22




 northern mechatronics CONFIDENTIAL	NORTHERN MECHATRONICS INC. ALL RIGHTS RESERVED		
	DRAWN BY Lucia Ignantunono	PROGRAM Petal Development Board (NM180410)	
R&D CHECK Joshua Wong	TITLE HIC GPIO		
MFG CHECK	EDITED BY	DRAWING NUMBER SCH-2003085-007	REVISION A
LAST EDIT Wednesday, January 08, 2025	SIZE B	SHEET 5	of 22

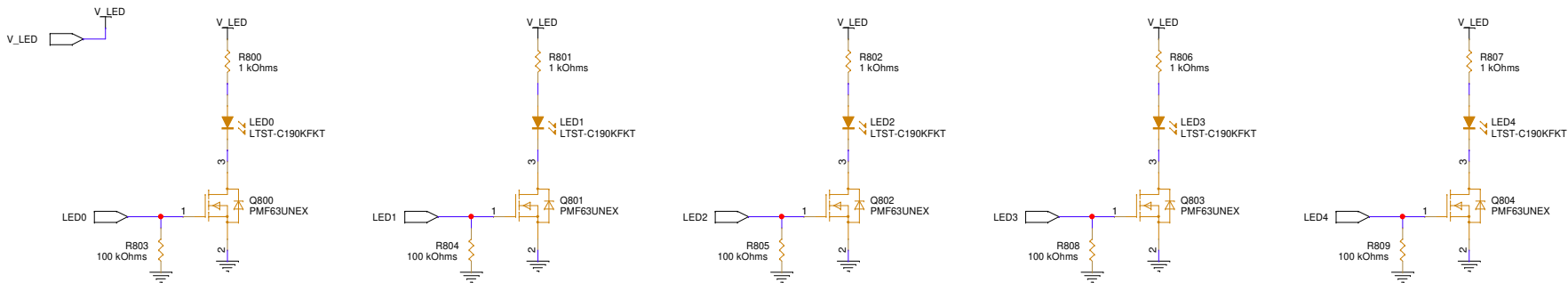


 northern mechatronics CONFIDENTIAL	NORTHERN MECHATRONICS INC. ALL RIGHTS RESERVED	
	DRAWN BY Lucia Iannantuono	PROGRAM Petal Development Board (NM180410)
R&D CHECK Joshua Wong	TITLE	
MFG CHECK	HIC MCU Power	
EDITED BY	DRAWING NUMBER SCH-2003085-007	REVISION A
LAST EDIT Thursday, 18 January 23, 2025	SIZE B	SHEET 6 of 22

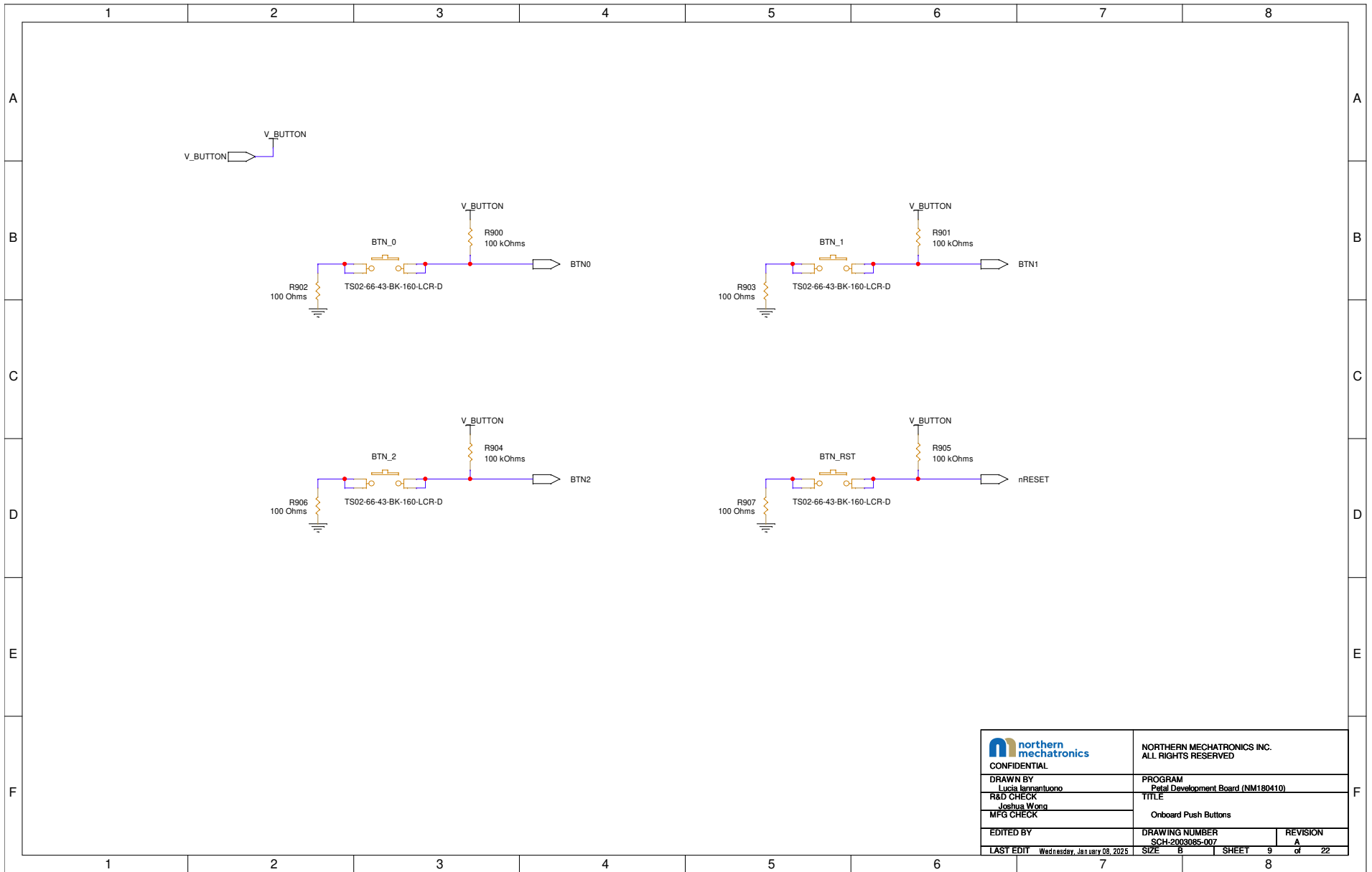



 NORTHERN MECHATRONICS INC. ALL RIGHTS RESERVED		
CONFIDENTIAL		
DRAWN BY Lucia Iannantuono	PROGRAM Petal Development Board (NM180410)	
R&D CHECK Joshua Wong	TITLE	
MFG CHECK	HIC USB	
EDITED BY	DRAWING NUMBER SCH-2003085-007	REVISION A
LAST EDIT Wednesday, January 08, 2025	SIZE B	SHEET 7 of 22

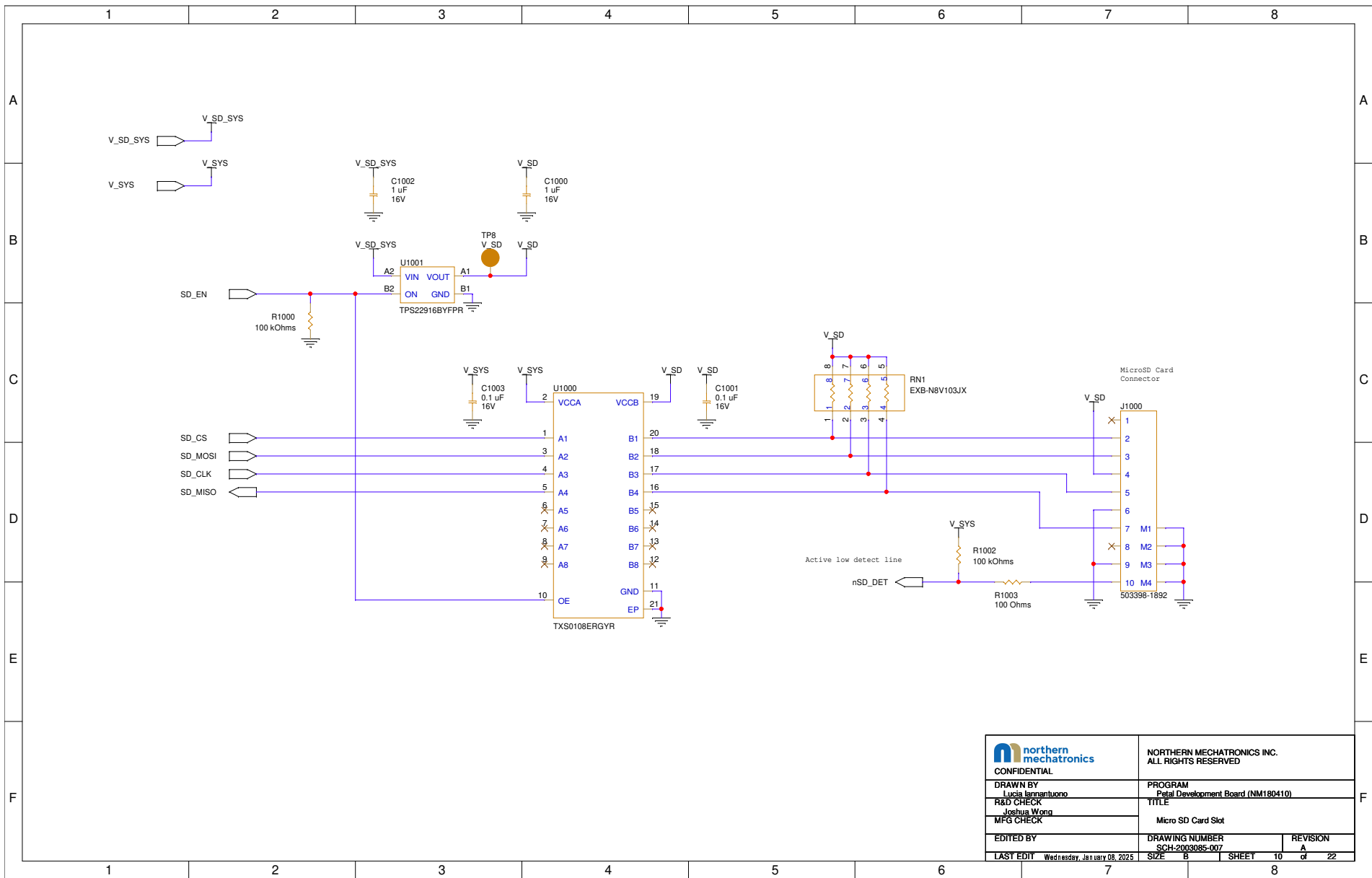
Onboard LED Indicators




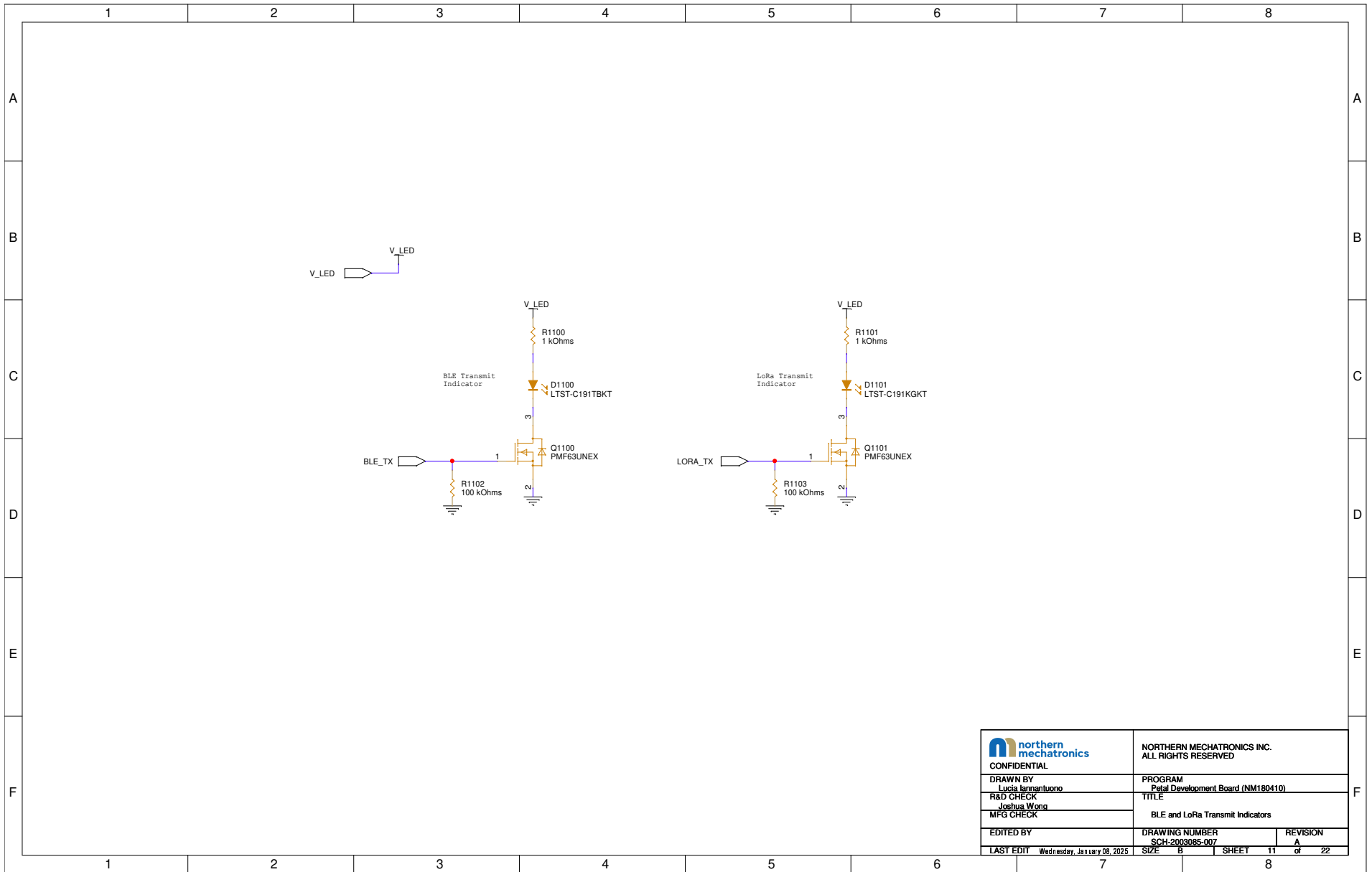
 northern mechatronics CONFIDENTIAL	NORTHERN MECHATRONICS INC. ALL RIGHTS RESERVED		
	DRAWN BY Lucia Ignantunovo	PROGRAM Petal Development Board (NM180410)	
R&D CHECK Joshua Wong	TITLE Onboard LEDs		
MFG CHECK	EDITED BY	DRAWING NUMBER SCH-2003085-007	REVISION A
LAST EDIT Wednesday, January 08, 2025	SIZE B	SHEET 8	of 22




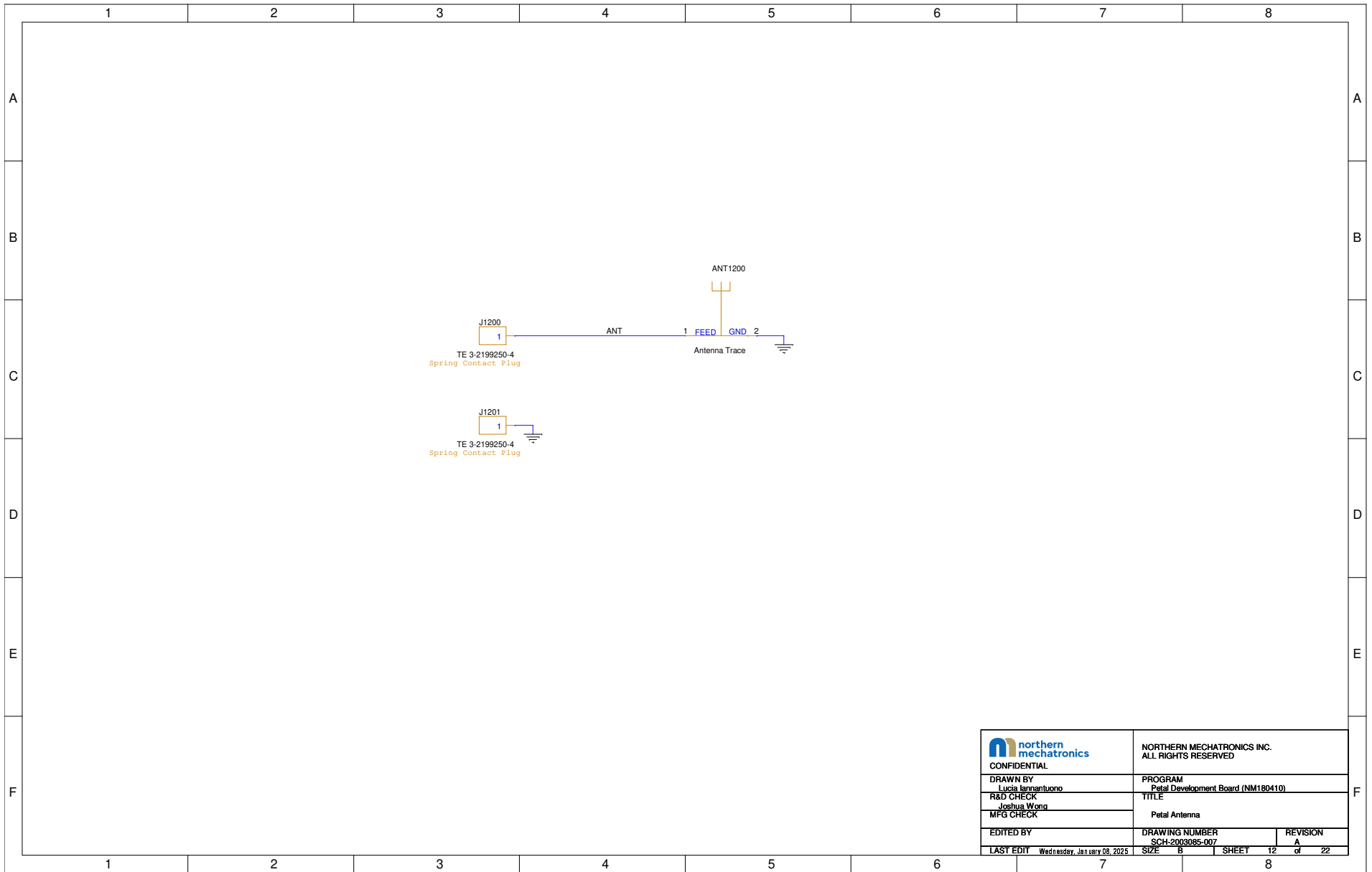
 northern mechatronics CONFIDENTIAL	NORTHERN MECHATRONICS INC. ALL RIGHTS RESERVED		
	DRAWN BY Lucia Iannantuono	PROGRAM Petal Development Board (NM180410)	
R&D CHECK Joshua Wong	TITLE Onboard Push Buttons		
MFG CHECK	EDITED BY	DRAWING NUMBER SCH-2003085-007	REVISION A
LAST EDIT Wednesday, January 08, 2025	SIZE B	SHEET 9	of 22




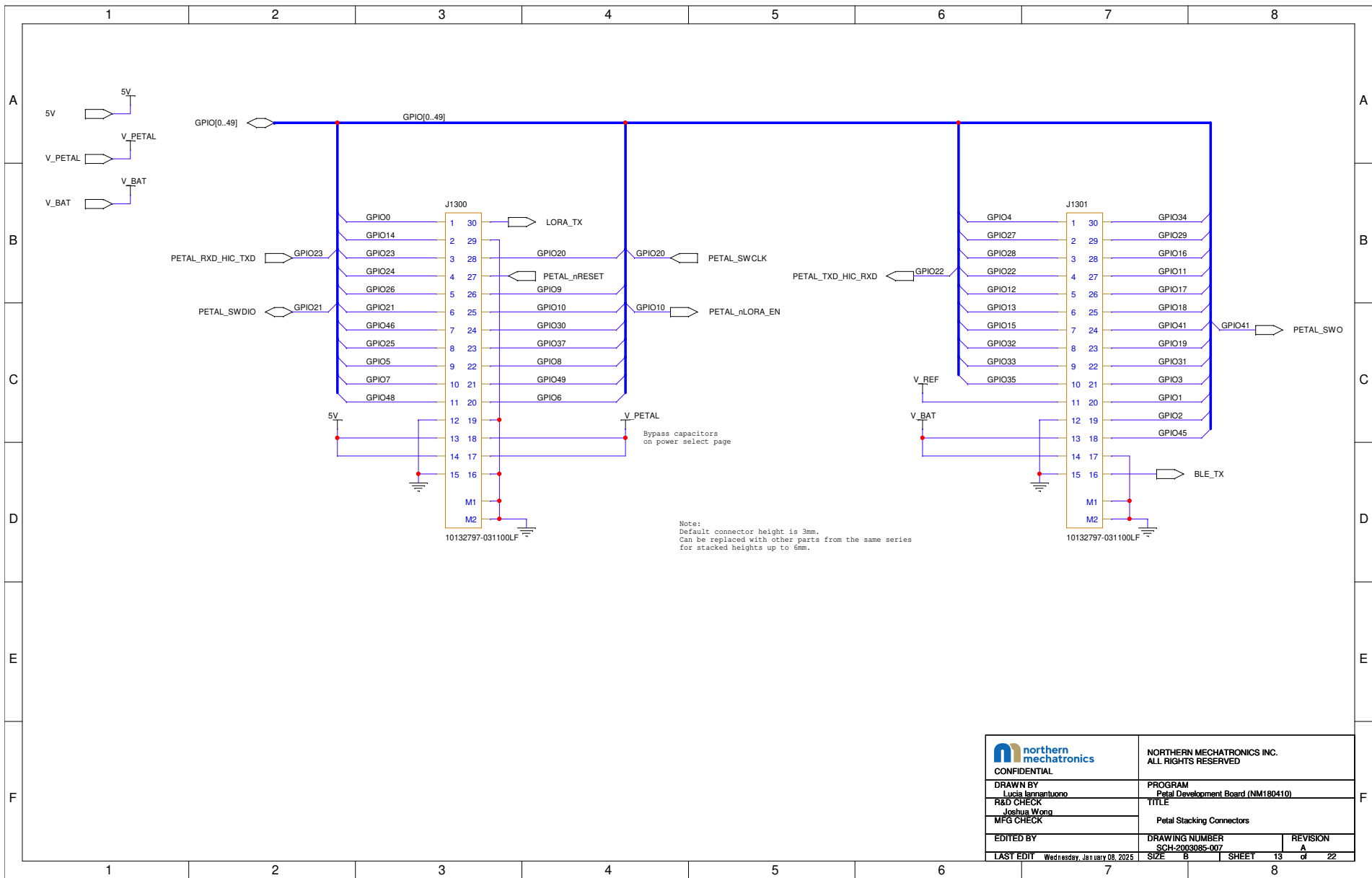
 NORTHERN MECHATRONICS INC. CONFIDENTIAL ALL RIGHTS RESERVED	
DRAWN BY Lucia Iannantuono	PROGRAM Petal Development Board (NM180410)
R&D CHECK Joshua Wong	TITLE Micro SD Card Slot
MFG CHECK	DRAWING NUMBER SCH-2003085-007
EDITED BY	REVISION A
LAST EDIT Wednesday, January 08, 2025	SIZE B
SHEET 10	of 22



 northern mechatronics CONFIDENTIAL	NORTHERN MECHATRONICS INC. ALL RIGHTS RESERVED		
	DRAWN BY Lucia Ignantunono	PROGRAM Petal Development Board (NM180410)	
R&D CHECK Joshua Wong	TITLE BLE and LoRa Transmit Indicators		
MFG CHECK	EDITED BY	DRAWING NUMBER SCH-2003085-007	REVISION A
LAST EDIT Wednesday, January 08, 2025	SIZE B	SHEET 11	of 22



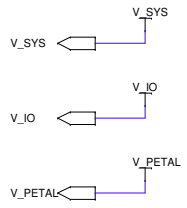
 northern mechatronics CONFIDENTIAL		NORTHERN MECHATRONICS INC. ALL RIGHTS RESERVED	
DRAWN BY Lucia Iannantuono		PROGRAM Petal Development Board (NM180410)	
R&D CHECK Joshua Wong		TITLE Petal Antenna	
MFG CHECK			
EDITED BY		DRAWING NUMBER SCH-2003085-007	REVISION A
LAST EDIT Wednesday, January 08, 2025		SIZE B	SHEET 12 of 22



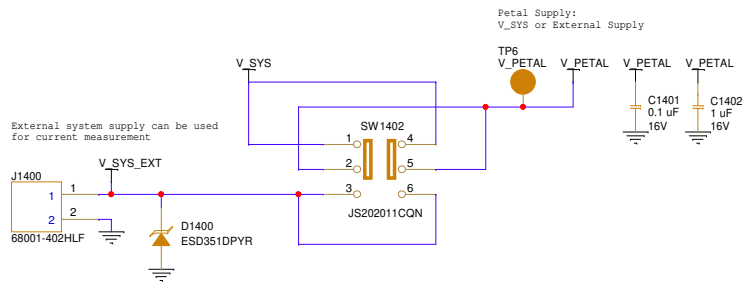
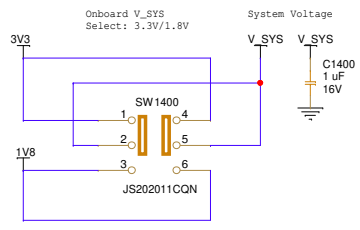
 northern mechatronics CONFIDENTIAL		NORTHERN MECHATRONICS INC. ALL RIGHTS RESERVED	
DRAWN BY Lucia Iannantuono		PROGRAM Petal Development Board (NM180410)	
R&D CHECK Joshua Wong		TITLE Petal Stacking Connectors	
MFG CHECK			
EDITED BY		DRAWING NUMBER SCH-2003085-007	REVISION A
LAST EDIT Wednesday, January 08, 2025		SIZE B	SHEET 13 of 22

1 2 3 4 5 6 7 8

A



SYSTEM VOLTAGE SELECT

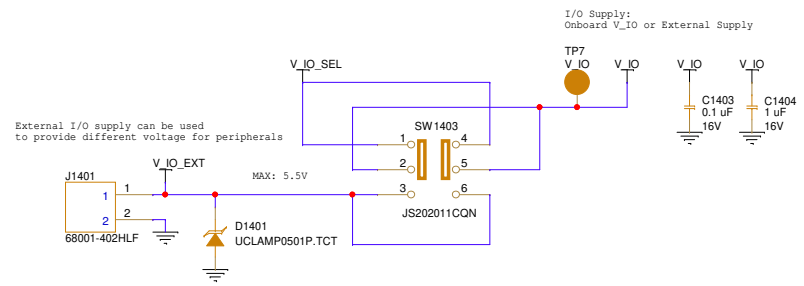
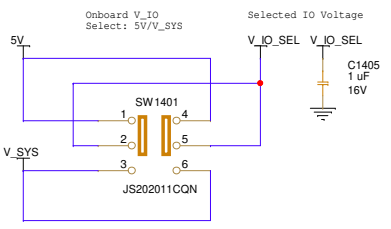


B

C

D

I/O VOLTAGE SELECT

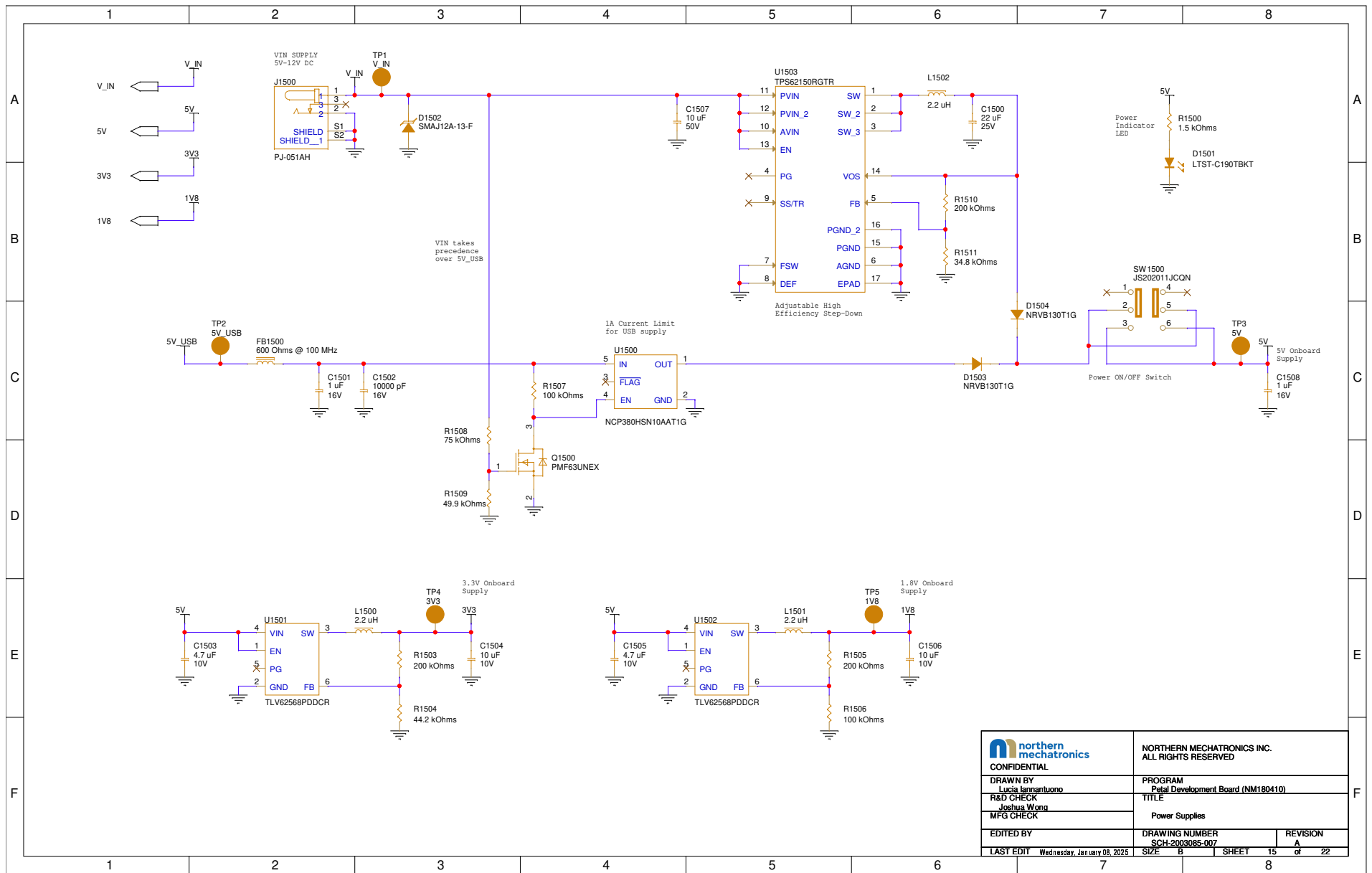


E

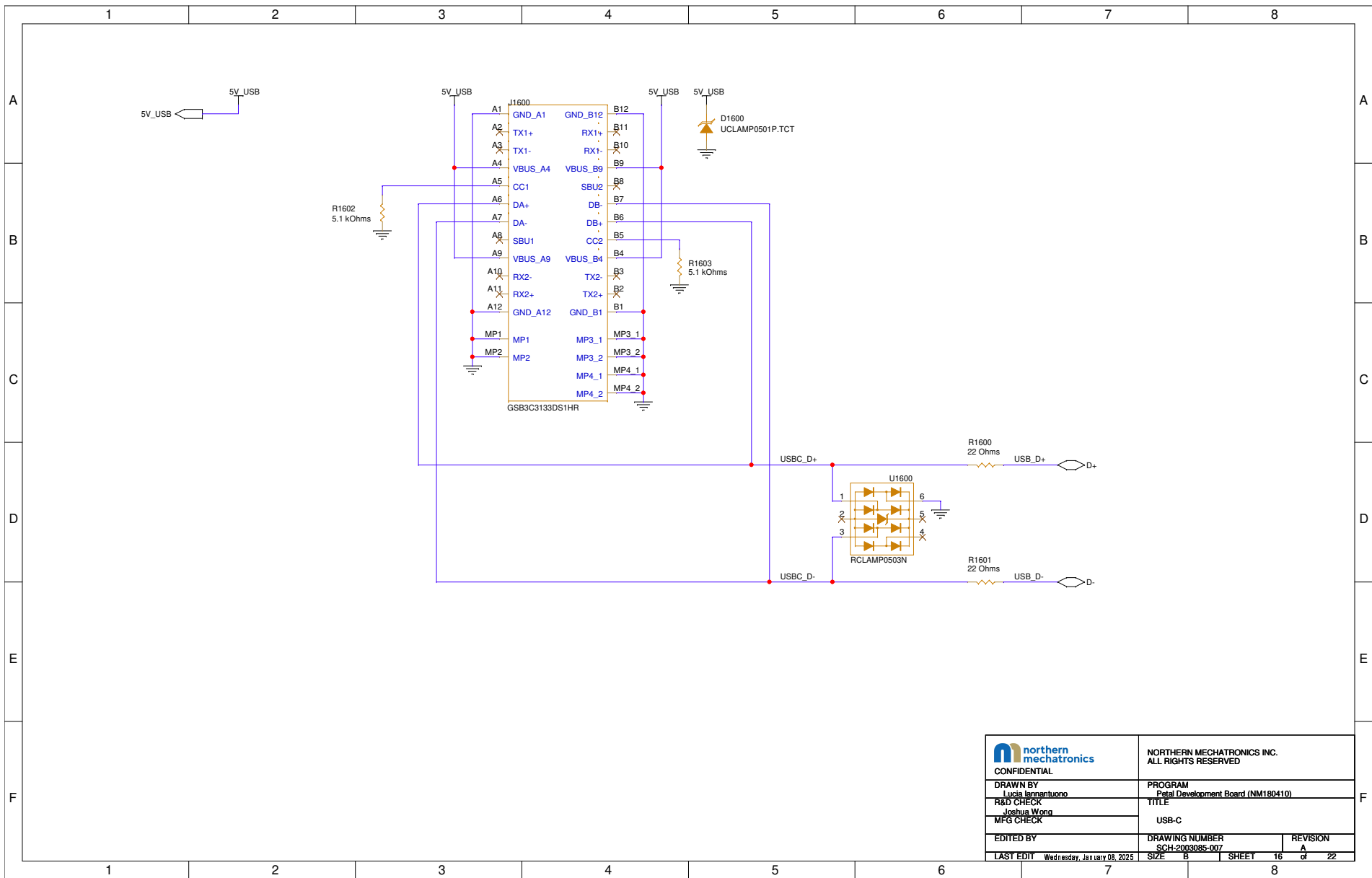
F


1 2 3 4 5 6 7 8

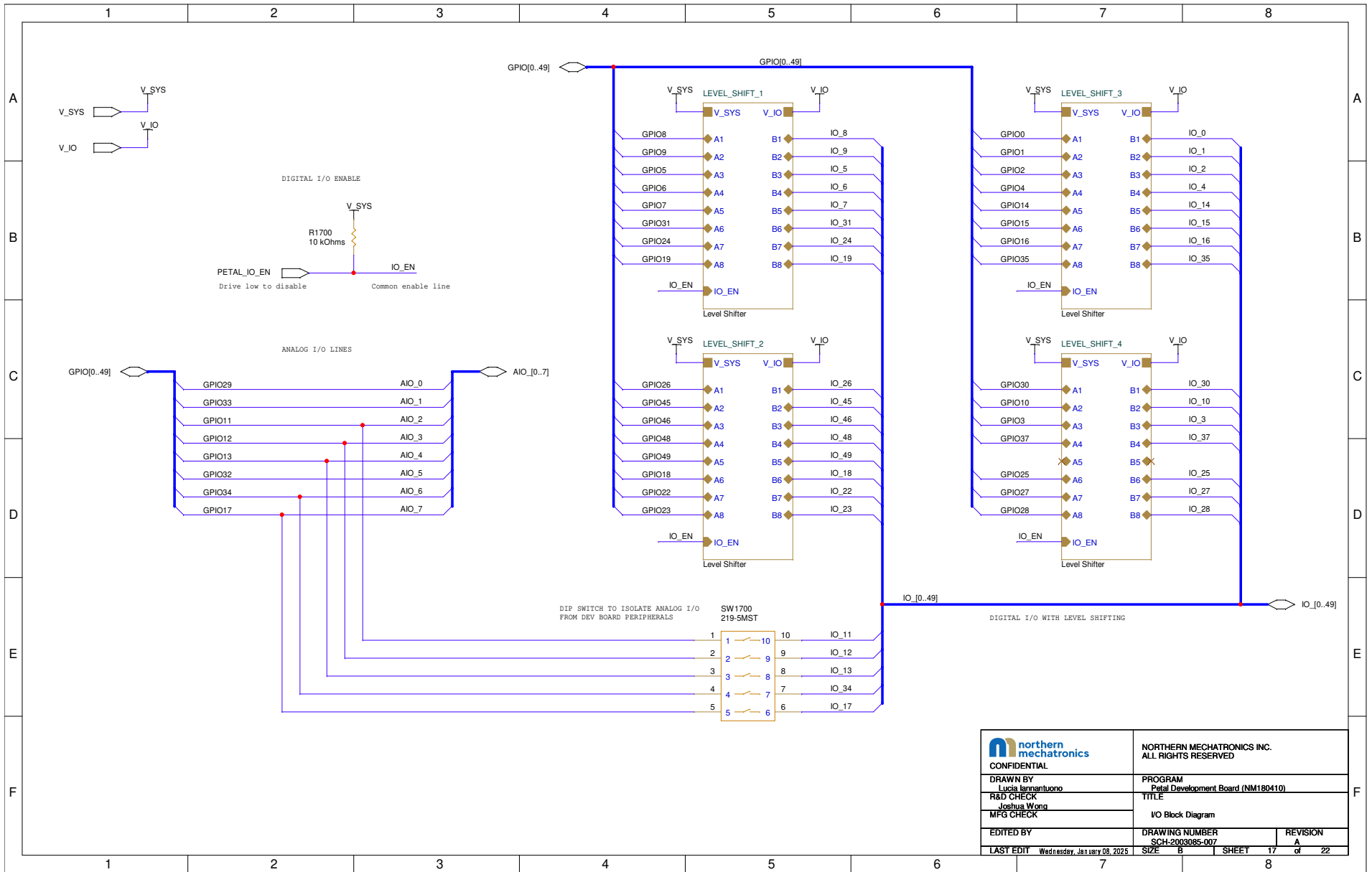
		NORTHERN MECHATRONICS INC. ALL RIGHTS RESERVED	
CONFIDENTIAL		PROGRAM Petal Development Board (NM180410)	
DRAWN BY Lucia Iannantuono		TITLE	
R&D CHECK Joshua Wong		Power Select	
MFG CHECK		EDITED BY	
DRAWING NUMBER SCH-2003085-007		REVISION A	
LAST EDIT Wednesday, January 08, 2025		SIZE B	SHEET 14 of 22



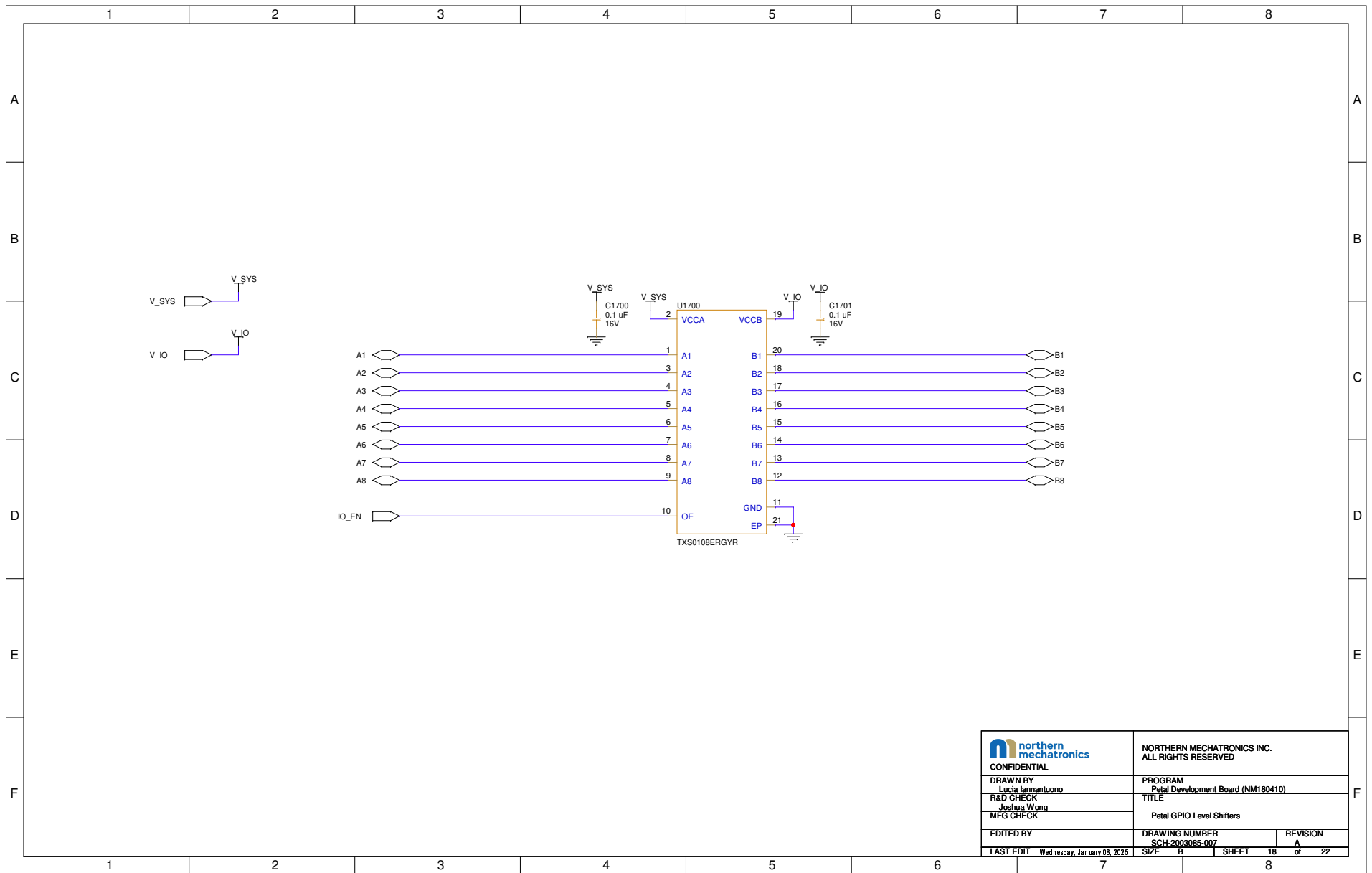
 NORTHERN MECHATRONICS INC. CONFIDENTIAL		NORTHERN MECHATRONICS INC. ALL RIGHTS RESERVED	
DRAWN BY Lucia Iannantuono		PROGRAM Petal Development Board (NM180410)	
R&D CHECK Joshua Wong		TITLE	
MFG CHECK		Power Supplies	
EDITED BY		DRAWING NUMBER SCH-2003085-007	REVISION A
LAST EDIT Wednesday, January 08, 2025		SIZE B	SHEET 15 of 22




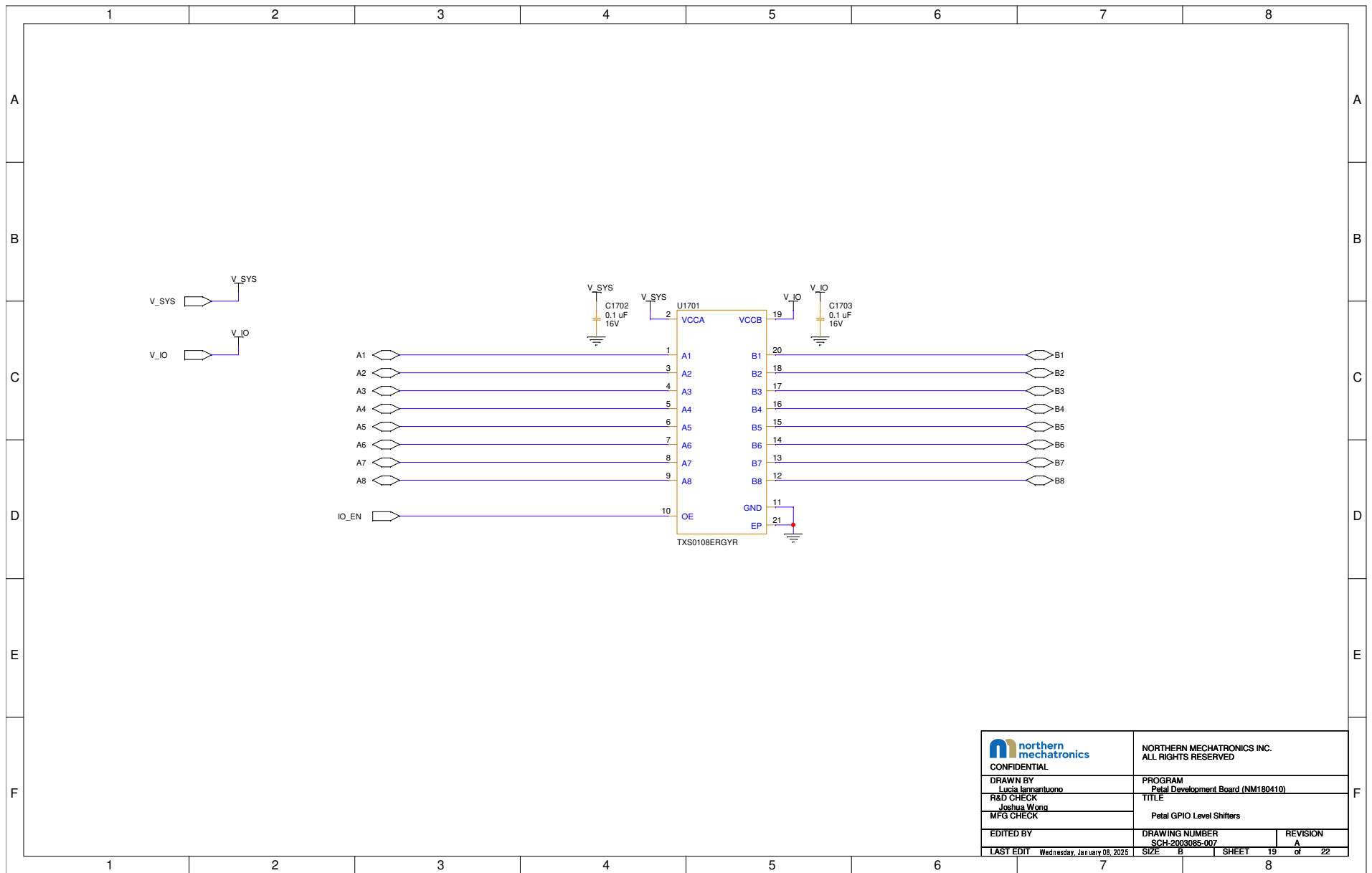
 NORTHERN MECHATRONICS INC. ALL RIGHTS RESERVED	
CONFIDENTIAL	
DRAWN BY Lucia Iannantuono	PROGRAM Petal Development Board (NM180410)
R&D CHECK Joshua Wong	TITLE
MFG CHECK	USB-C
EDITED BY	DRAWING NUMBER
LAST EDIT Wednesday, January 08, 2025	SCH-2003085-007
SIZE B	REVISION A
SHEET 16	of 22




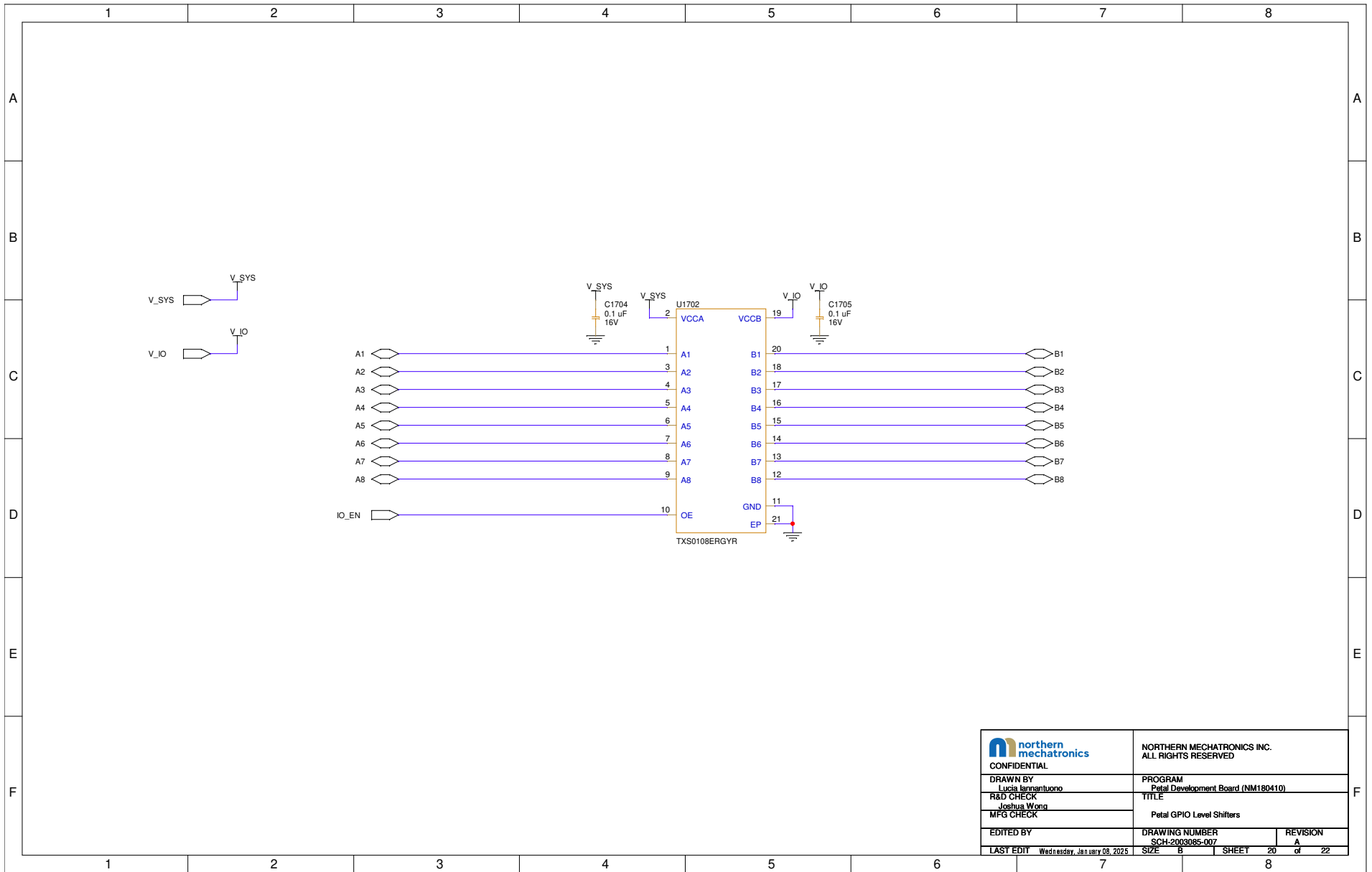
 northern mechatronics CONFIDENTIAL	NORTHERN MECHATRONICS INC. ALL RIGHTS RESERVED	
	DRAWN BY Lucia Iannantuono	PROGRAM Petal Development Board (NM180410)
	R&D CHECK Joshua Wong MFG CHECK	TITLE IO Block Diagram
EDITED BY	DRAWING NUMBER SCH-2003085-007	REVISION A
LAST EDIT Wednesday, January 08, 2025	SIZE B	SHEET 17 of 22




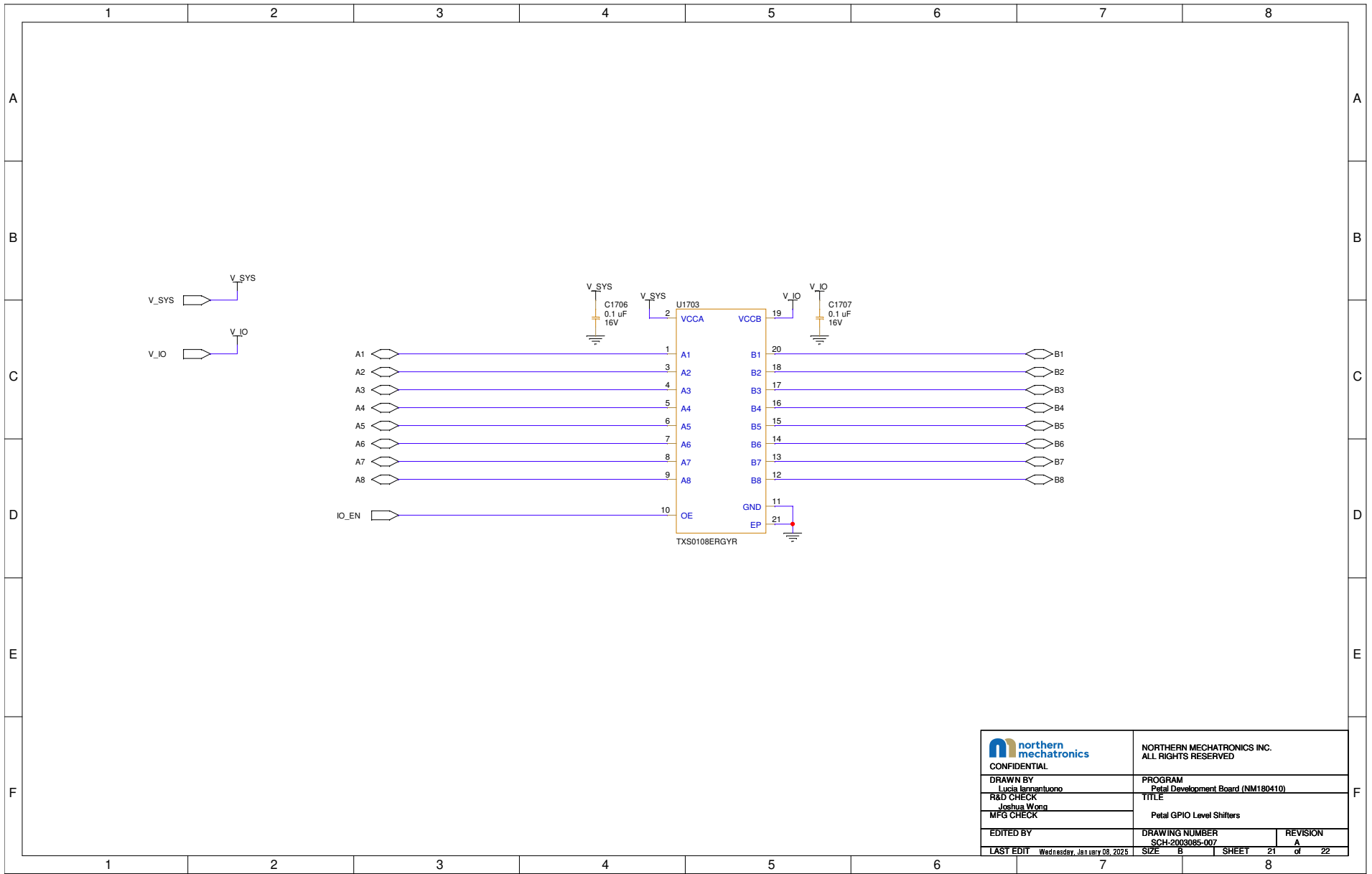
 northern mechatronics CONFIDENTIAL		NORTHERN MECHATRONICS INC. ALL RIGHTS RESERVED	
DRAWN BY Lucia Ignantunono		PROGRAM Petal Development Board (NM180410)	
R&D CHECK Joshua Wong		TITLE Petal GPIO Level Shifters	
MFG CHECK			
EDITED BY		DRAWING NUMBER SCH-2003085-007	REVISION A
LAST EDIT Wednesday, January 08, 2025		SIZE B	SHEET 18 of 22




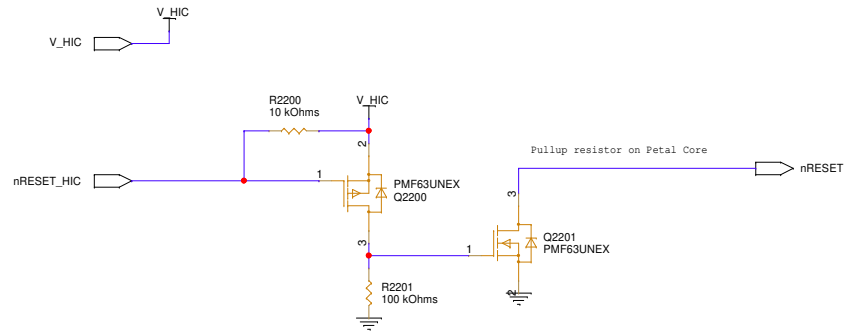
 NORTHERN MECHATRONICS INC. ALL RIGHTS RESERVED		
CONFIDENTIAL		
DRAWN BY Lucia Ignantunono	PROGRAM Petal Development Board (NM180410)	
R&D CHECK Joshua Wong	TITLE	
MFG CHECK	Petal GPIO Level Shifters	
EDITED BY	DRAWING NUMBER	REVISION
LAST EDIT Wednesday, January 08, 2025	SCH-2003085-007	A
SIZE B	SHEET 19	of 22




 northern mechatronics CONFIDENTIAL		NORTHERN MECHATRONICS INC. ALL RIGHTS RESERVED	
DRAWN BY Lucia Ignantunono		PROGRAM Petal Development Board (NM180410)	
R&D CHECK Joshua Wong		TITLE Petal GPIO Level Shifters	
MFG CHECK			
EDITED BY		DRAWING NUMBER SCH-2003085-007	REVISION A
LAST EDIT Wednesday, January 08, 2025	SIZE B	SHEET 20	of 22



		NORTHERN MECHATRONICS INC. ALL RIGHTS RESERVED	
CONFIDENTIAL		PROGRAM Petal Development Board (NM180410)	
DRAWN BY Lucia Ignantunono		TITLE	
R&D CHECK Joshua Wong		Petal GPIO Level Shifters	
MFG CHECK			
EDITED BY		DRAWING NUMBER SCH-2003085-007	REVISION A
LAST EDIT Wednesday, January 08, 2025		SIZE B	SHEET 21 of 22



		© 2024 NORTHERN MECHATRONICS INC. ALL RIGHTS RESERVED	
CONFIDENTIAL		PROGRAM Petal Development Board (NM180410)	
DRAWN BY Lucia Iannantuono	TITLE Reset Logic		
R&D CHECK			
MFG CHECK			
EDITED BY Lucia Iannantuono	DRAWING NUMBER SCH-2003085-007	REVISION A	
LAST EDIT Thursday, January 23, 2025	SIZE B	SHEET 22	of 22