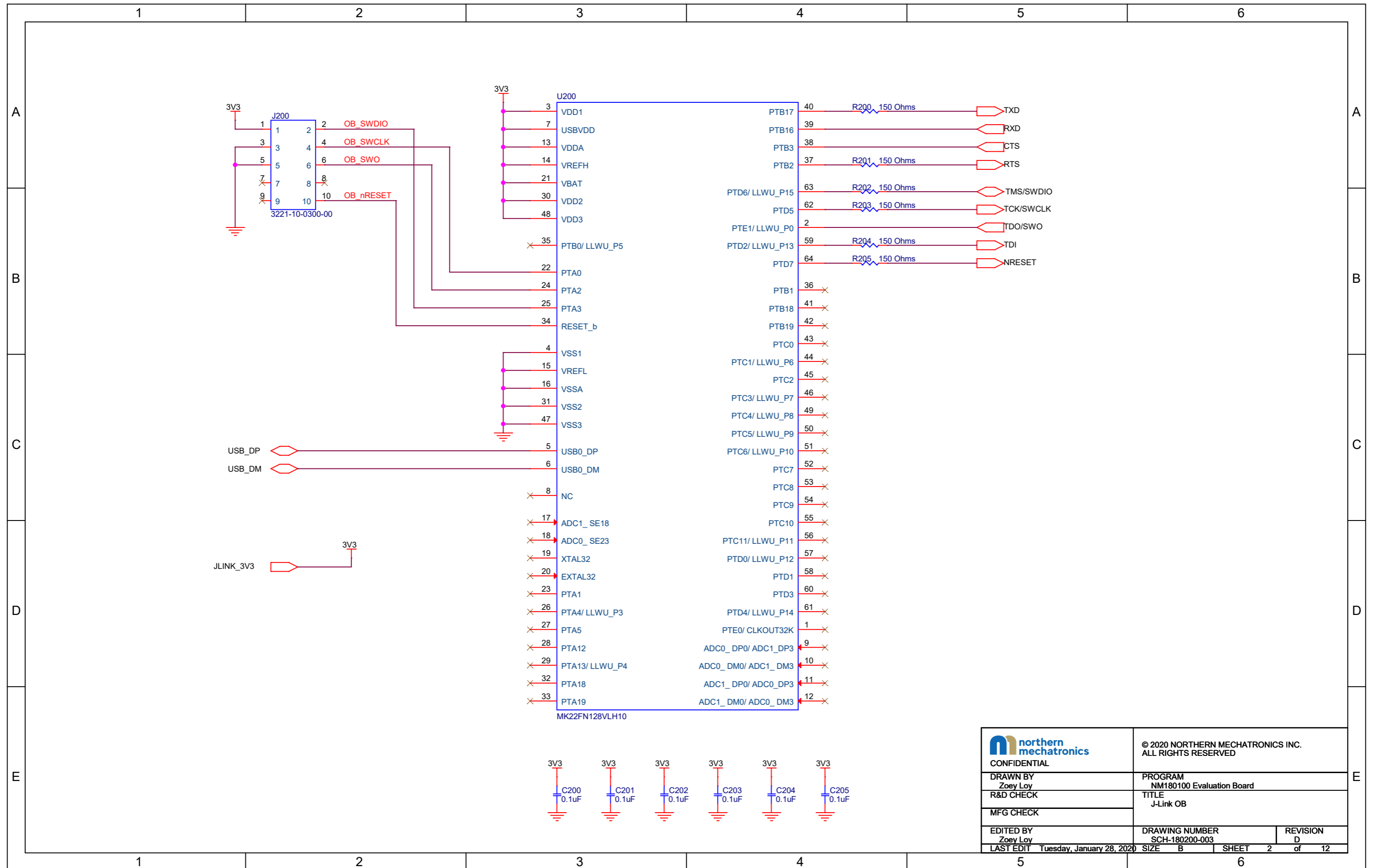

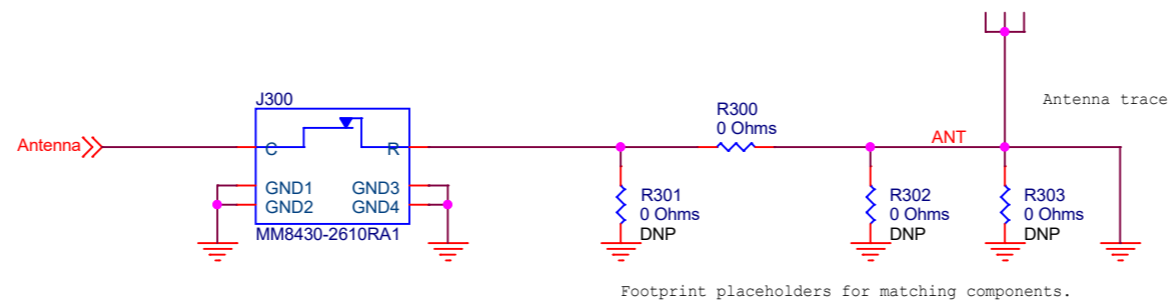

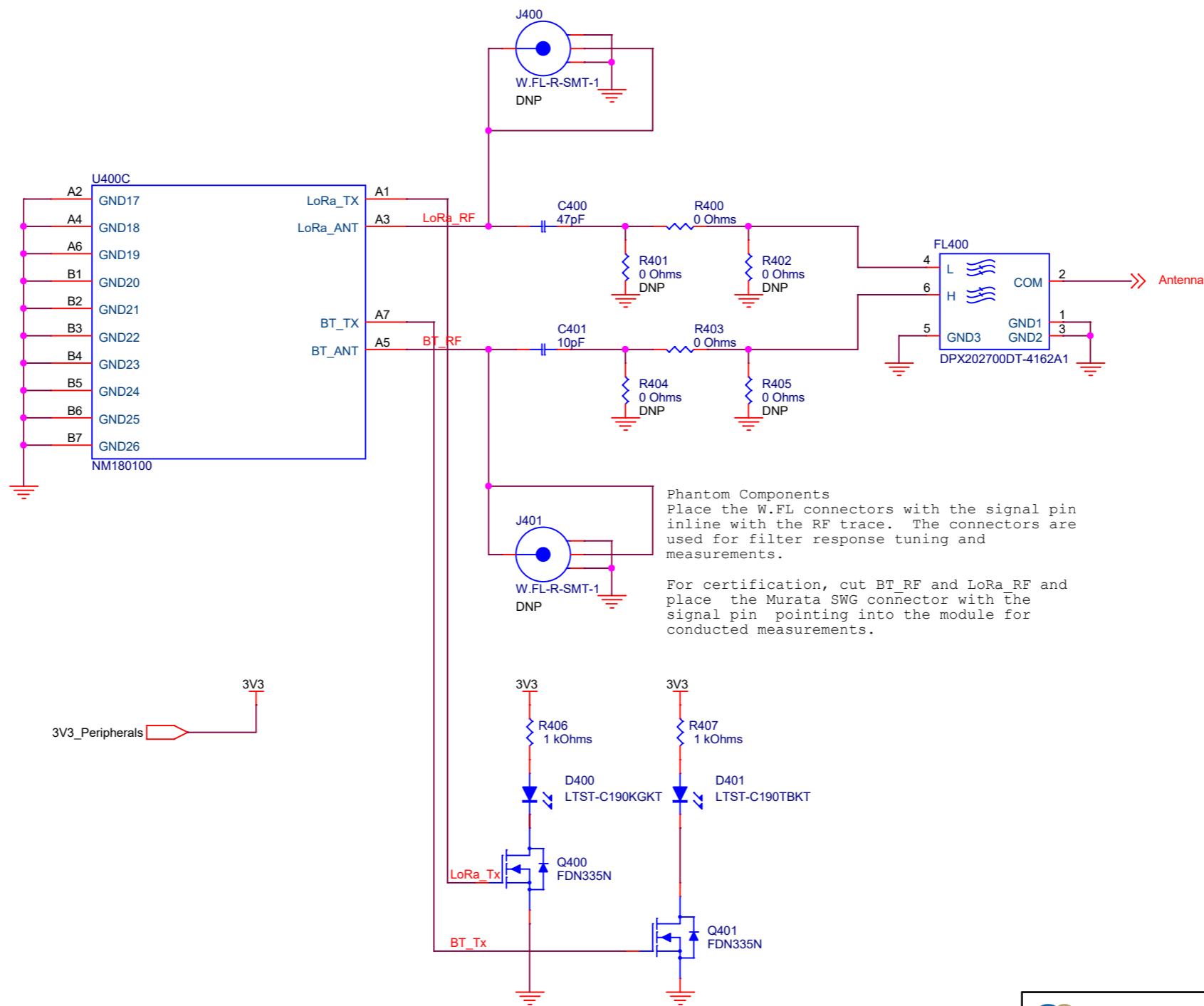
 CONFIDENTIAL		© 2020 NORTHERN MECHATRONICS INC. ALL RIGHTS RESERVED	
DRAWN BY Zoey Loy		PROGRAM NM180100 Evaluation Board	
R&D CHECK		TITLE Block Diagram	
MFG CHECK			
EDITED BY Zoey Loy		DRAWING NUMBER SCH-180200-003	REVISION D
LAST EDIT Tuesday, January 28, 2020	SIZE B	SHEET 1	of 12



 CONFIDENTIAL		© 2020 NORTHERN MECHATRONICS INC. ALL RIGHTS RESERVED	
DRAWN BY Zoey Loy		PROGRAM NM180100 Evaluation Board	
R&D CHECK		TITLE J-Link OB	
MFG CHECK			
EDITED BY Zoey Loy		DRAWING NUMBER SCH-180200-003	REVISION D
LAST EDIT Tuesday, January 28, 2020		SIZE B	SHEET 2 of 12



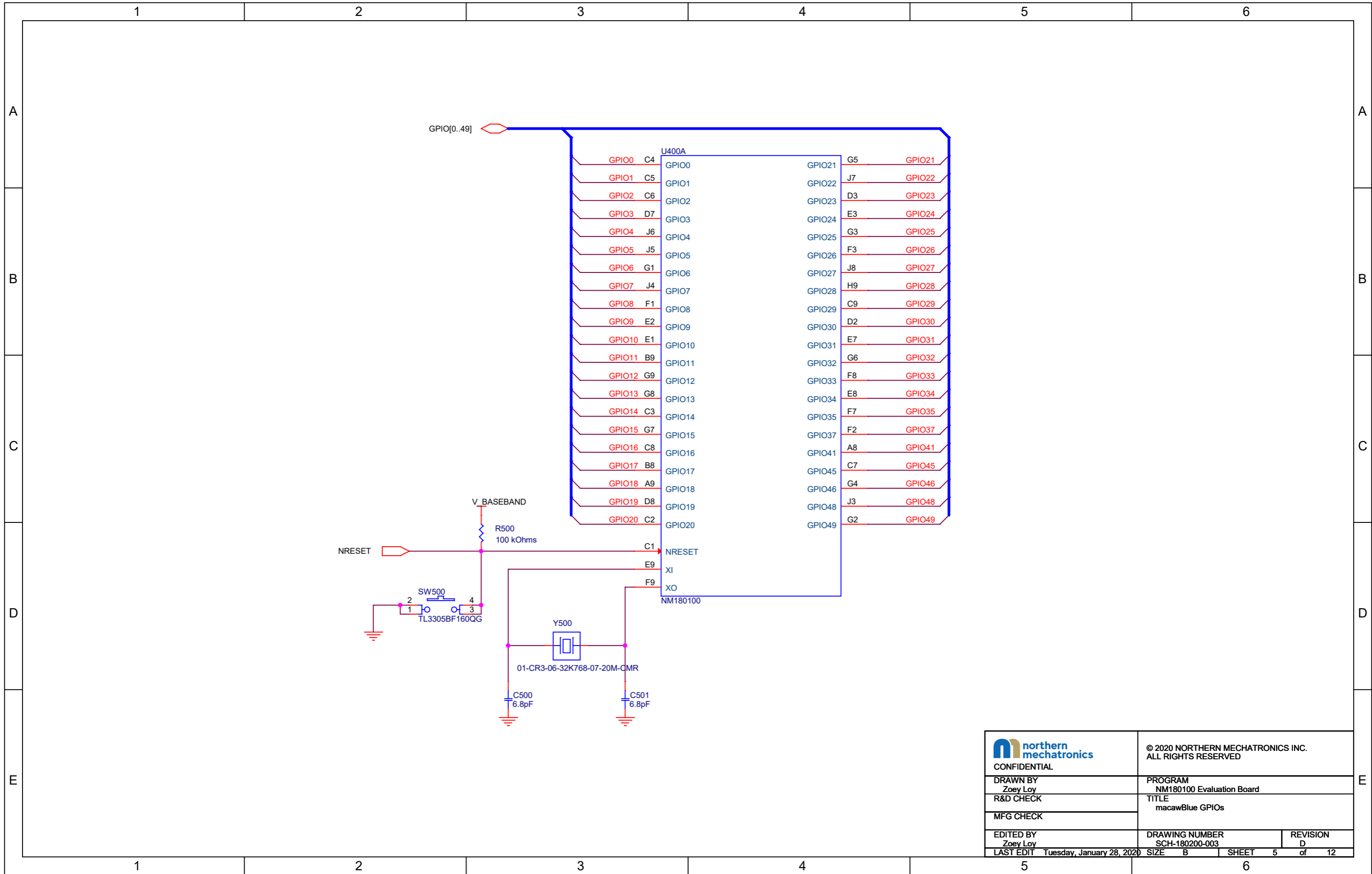
 CONFIDENTIAL		© 2020 NORTHERN MECHATRONICS INC. ALL RIGHTS RESERVED	
DRAWN BY Zoey Loy		PROGRAM NM180100 Evaluation Board	
R&D CHECK		TITLE macawBlue Antenna	
MFG CHECK			
EDITED BY Zoey Loy		DRAWING NUMBER SCH-180200-003	REVISION D
LAST EDIT Tuesday, January 28, 2020	SIZE B	SHEET 3	of 12




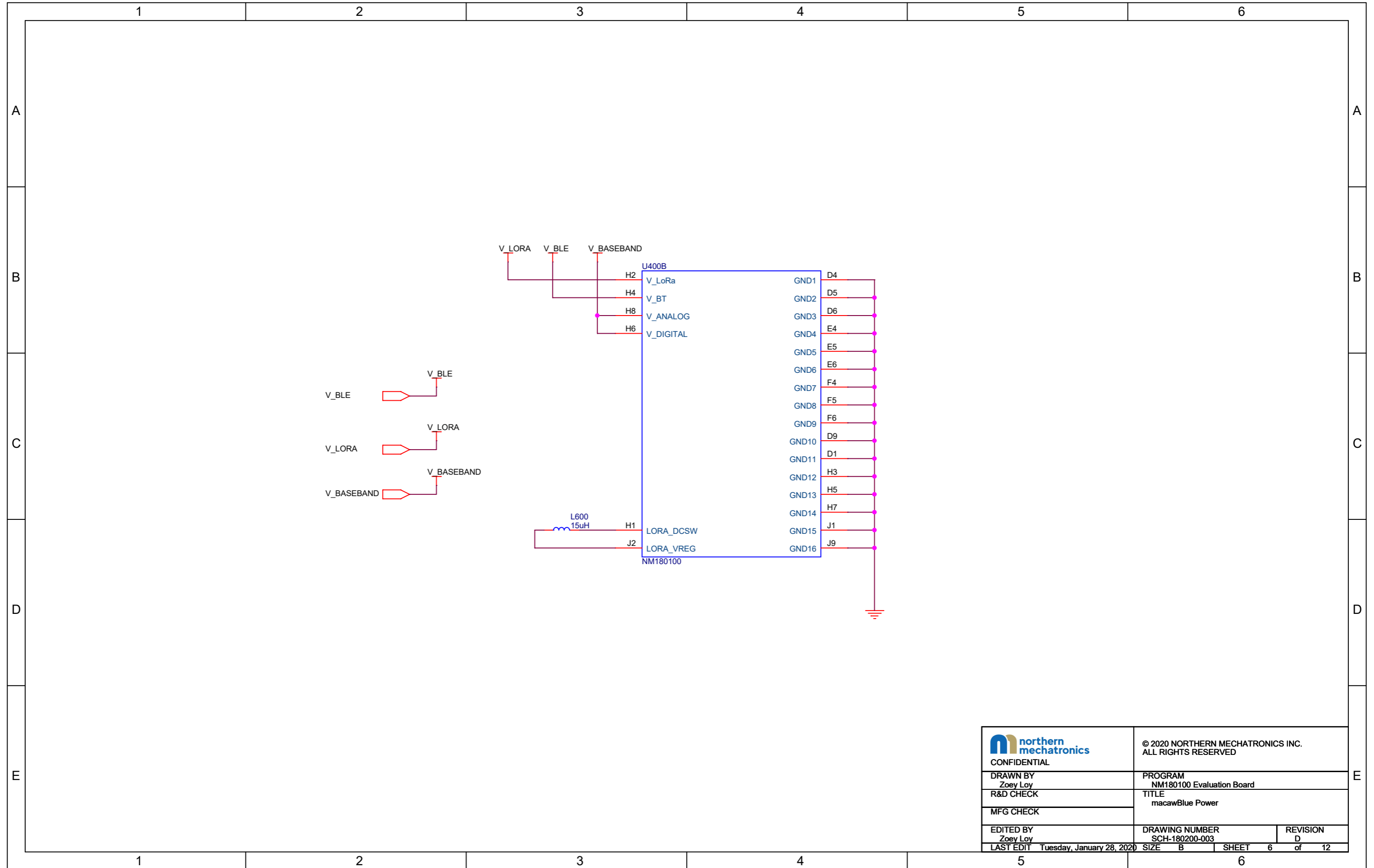
Phantom Components  
 Place the W.FL connectors with the signal pin inline with the RF trace. The connectors are used for filter response tuning and measurements.


For certification, cut BT\_RF and LoRa\_RF and place the Murata SWG connector with the signal pin pointing into the module for conducted measurements.

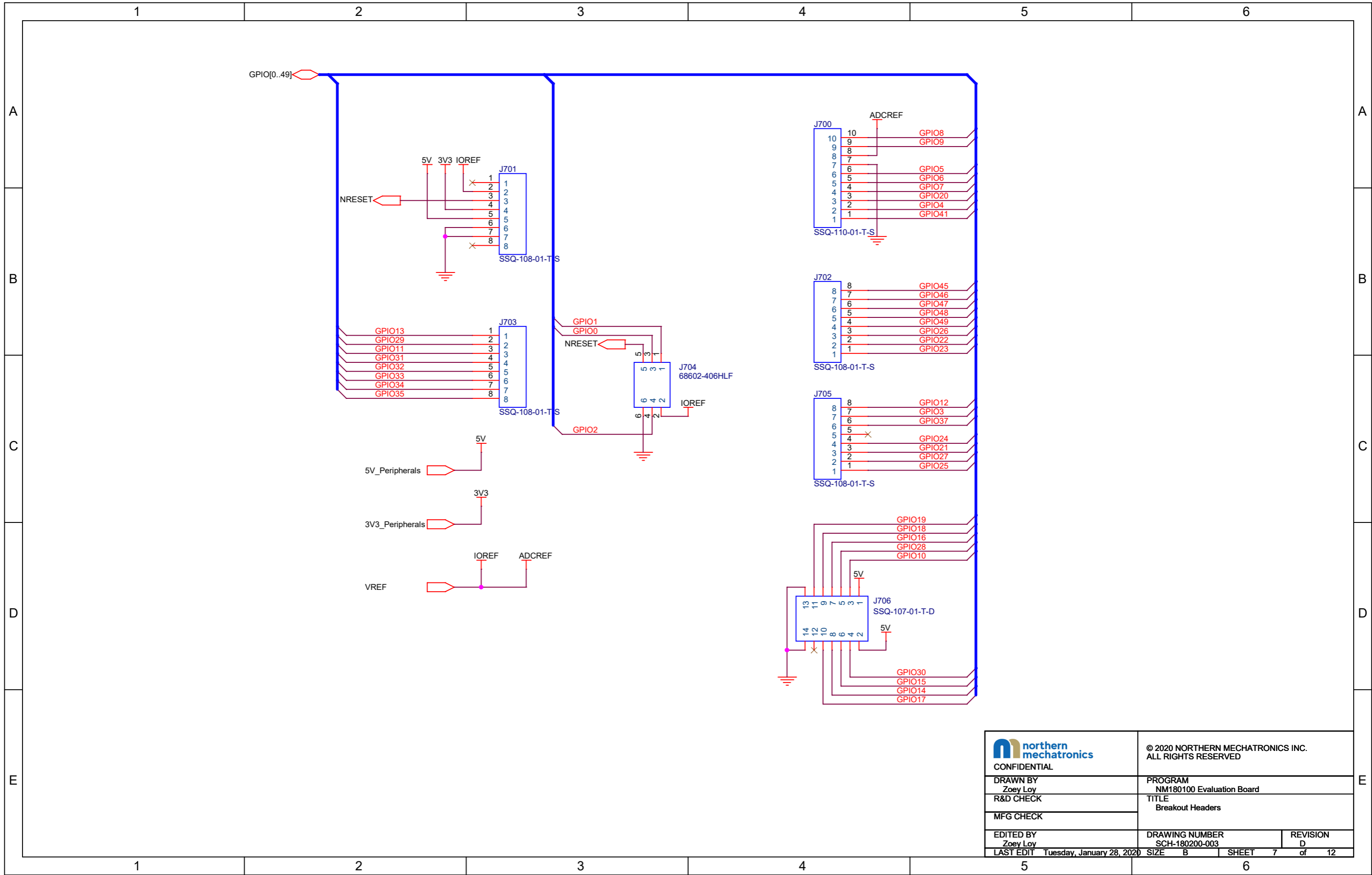
		© 2020 NORTHERN MECHATRONICS INC. ALL RIGHTS RESERVED	
CONFIDENTIAL		PROGRAM NM180100 Evaluation Board	
DRAWN BY Zoey Loy		TITLE macawBlue RF	
R&D CHECK		MFG CHECK	
EDITED BY Zoey Loy		DRAWING NUMBER SCH-180200-003	REVISION D
LAST EDIT Tuesday, January 28, 2020	SIZE B	SHEET 4	of 12




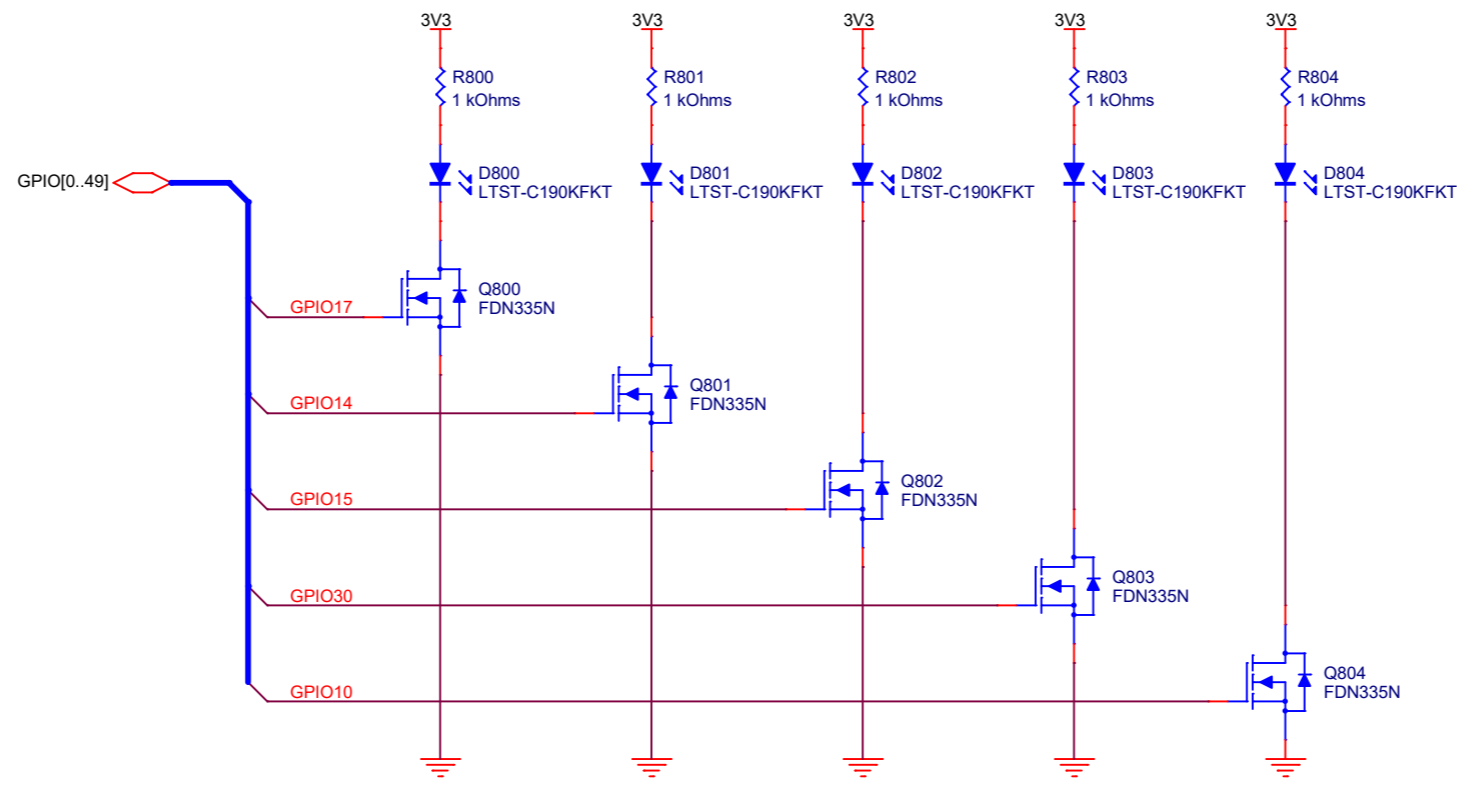
		© 2020 NORTHERN MECHATRONICS INC. ALL RIGHTS RESERVED	
CONFIDENTIAL		PROGRAM NM180100 Evaluation Board	
DRAWN BY Zoey Loy		TITLE macawBlue GPIOs	
R&D CHECK		MFG CHECK	
EDITED BY Zoey Loy		DRAWING NUMBER SCH-180200-003	REVISION D
LAST EDIT Tuesday, January 28, 2020	SIZE B	SHEET 5	of 12




 <b>northern mechatronics</b> CONFIDENTIAL		© 2020 NORTHERN MECHATRONICS INC. ALL RIGHTS RESERVED	
DRAWN BY Zoey Loy		PROGRAM NM180100 Evaluation Board	
R&D CHECK		TITLE macawBlue Power	
MFG CHECK			
EDITED BY Zoey Loy		DRAWING NUMBER SCH-180200-003	REVISION D
LAST EDIT Tuesday, January 28, 2020	SIZE B	SHEET 6	of 12

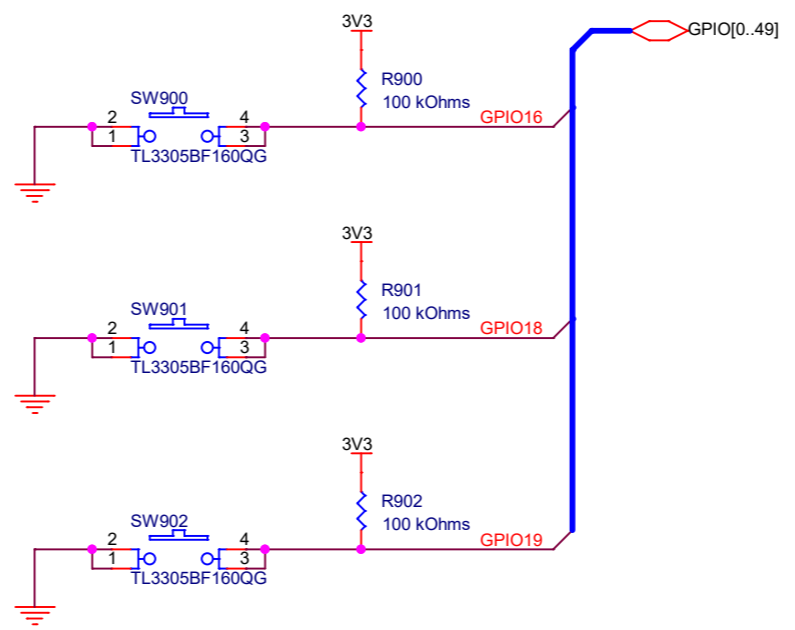



 CONFIDENTIAL		© 2020 NORTHERN MECHATRONICS INC. ALL RIGHTS RESERVED	
DRAWN BY Zoey Loy		PROGRAM NM180100 Evaluation Board	
R&D CHECK		TITLE Breakout Headers	
MFG CHECK			
EDITED BY Zoey Loy		DRAWING NUMBER SCH-180200-003	REVISION D
LAST EDIT Tuesday, January 28, 2020	SIZE B	SHEET 7	of 12

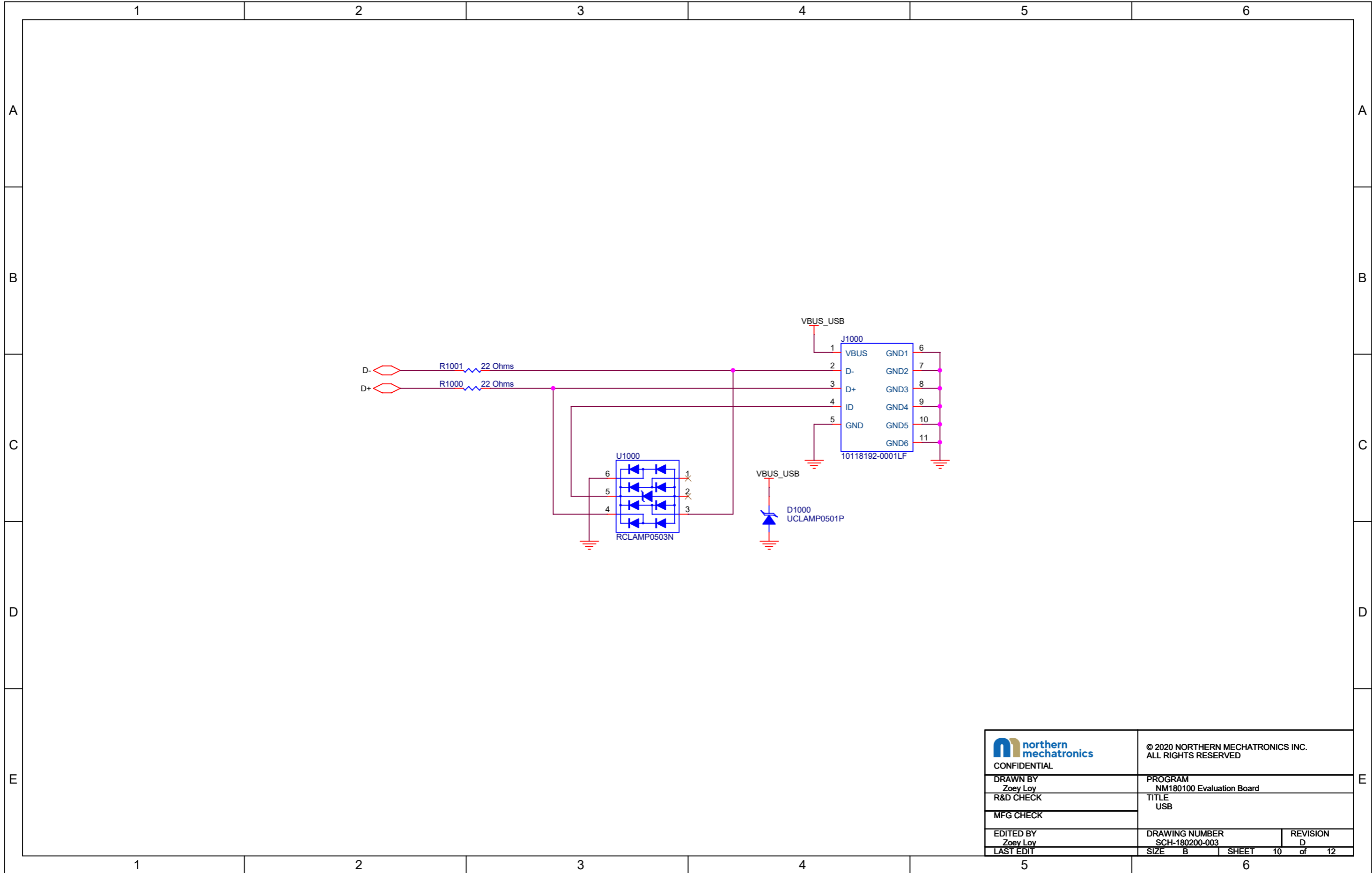



 <b>northern mechatronics</b> CONFIDENTIAL		© 2020 NORTHERN MECHATRONICS INC. ALL RIGHTS RESERVED	
DRAWN BY Zoey Loy		PROGRAM NM180100 Evaluation Board	
R&D CHECK		TITLE LEDs	
MFG CHECK			
EDITED BY Zoey Loy		DRAWING NUMBER SCH-180200-003	REVISION D
LAST EDIT Tuesday, January 28, 2020	SIZE B	SHEET 8	of 12

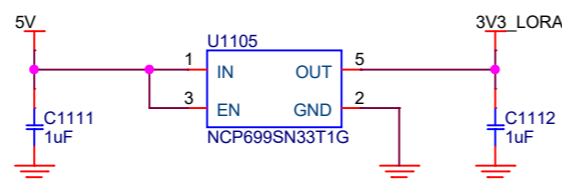
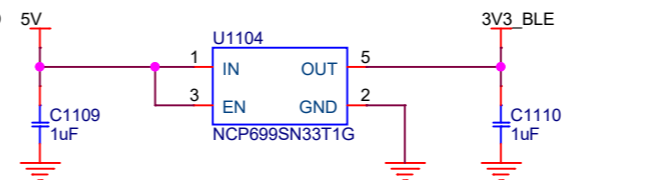
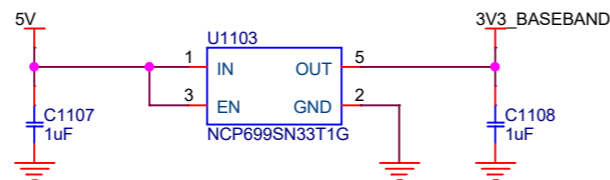
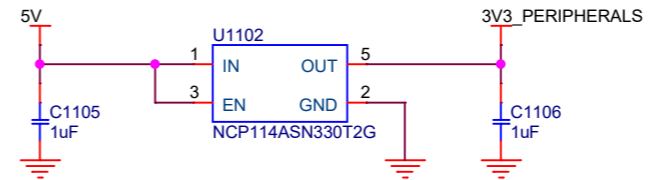
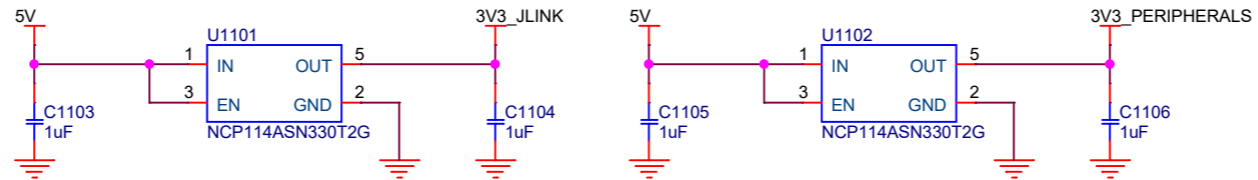
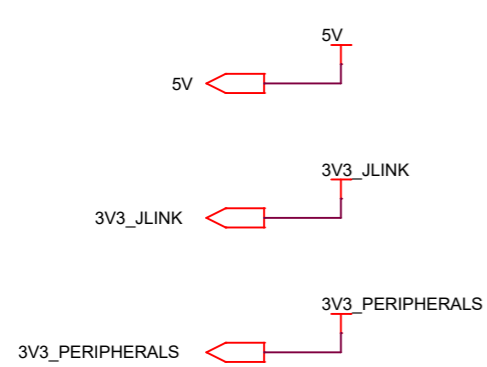
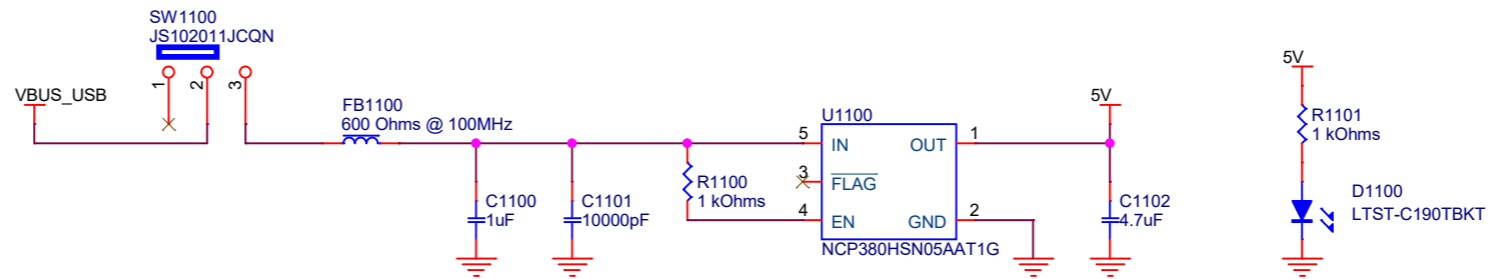





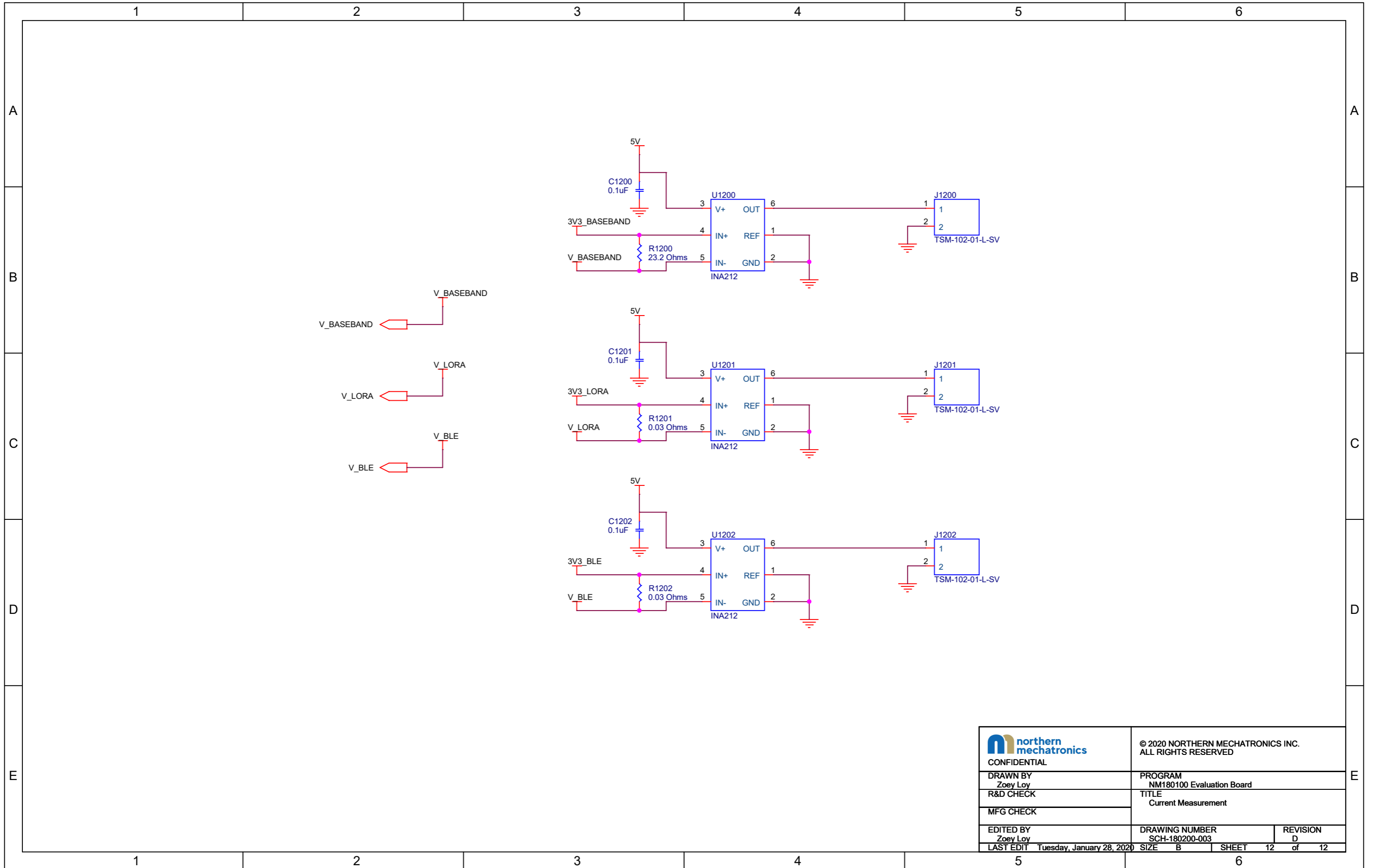
 <b>northern mechatronics</b> CONFIDENTIAL		© 2020 NORTHERN MECHATRONICS INC. ALL RIGHTS RESERVED	
DRAWN BY Zoey Loy		PROGRAM NM180100 Evaluation Board	
R&D CHECK		TITLE Push Buttons	
MFG CHECK			
EDITED BY Zoey Loy		DRAWING NUMBER SCH-180200-003	REVISION D
LAST EDIT Tuesday, January 28, 2020	SIZE B	SHEET 9	of 12




 CONFIDENTIAL		© 2020 NORTHERN MECHATRONICS INC. ALL RIGHTS RESERVED	
DRAWN BY Zoey Loy		PROGRAM NM180100 Evaluation Board	
R&D CHECK		TITLE USB	
MFG CHECK			
EDITED BY Zoey Loy		DRAWING NUMBER SCH-180200-003	REVISION D
LAST EDIT	SIZE B	SHEET 10	of 12



		© 2020 NORTHERN MECHATRONICS INC. ALL RIGHTS RESERVED	
CONFIDENTIAL		PROGRAM NM180100 Evaluation Board	
DRAWN BY Zoey Loy		TITLE Power Distribution	
R&D CHECK		MFG CHECK	
EDITED BY Zoey Loy		DRAWING NUMBER SCH-180200-003	REVISION D
LAST EDIT Tuesday, January 28, 2020	SIZE B	SHEET 11	of 12



 CONFIDENTIAL		© 2020 NORTHERN MECHATRONICS INC. ALL RIGHTS RESERVED	
DRAWN BY Zoey Loy		PROGRAM NM180100 Evaluation Board	
R&D CHECK		TITLE Current Measurement	
MFG CHECK			
EDITED BY Zoey Loy		DRAWING NUMBER SCH-180200-003	REVISION D
LAST EDIT Tuesday, January 28, 2020	SIZE B	SHEET 12	of 12